

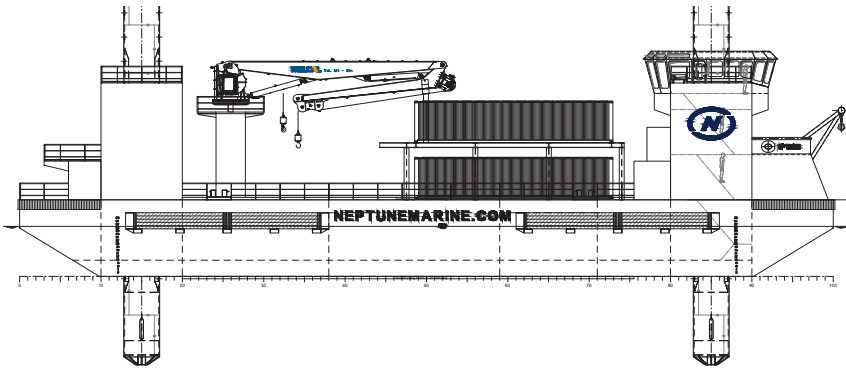
The EuroJack-Up is a multi-purpose jack-up barge design, which offers solutions to all kinds of maritime operations such as offshore construction. It can be modified to fit your demands. This could either be the installation of propulsion, or the installation of a heavy lift crane to fit your project

GENERAL	
YEAR BUILT	2025
HOME PORT	Aalst
CLASSIFICATION	Bureau Veritas I ✦ HULL • MACH Offshore Self Elevating Unit, Coastal Area, Transit over 20 miles from shore with HS < 2.5m

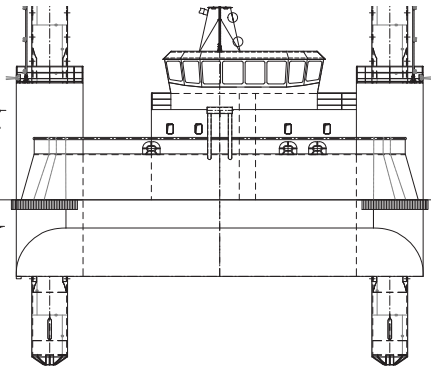
EuroJack-Up 5025 | NP 525

DIMENSIONS	
LENGTH O.A.	50,00 meters
BREADTH MLD.	25,00 meters
DEPTH AT SIDE	4,75 meters
DRAFT	3,10 meters
MAX. PAYLOAD	1000 tons
OPERATING CONDITIONS	
MAX. DESIGN WATER DEPTH	39,90 meters
SPUD LEGS	
LEG LENGTH (MAIN PART)	41,6 meters
LEG LENGTH (EXTENSIONS)	24.0 meters
DIAMETER	2,20 meters
DECK CRANE SPECIFICATIONS	JL400m Marine rated knuckle deck crane
MAX REACH	20 meters
MAX SWL	5 tons
MOONPOOLS	2N0.1,5x1.0m with inserts
AUXILIARIES	
TOTAL GENERATOR POWER	2900kw
E-POWER AVAILABLE ON DECK	450 kW

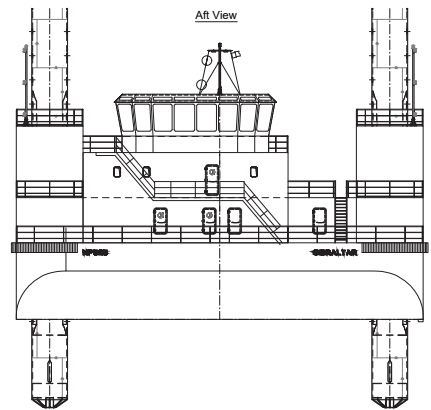
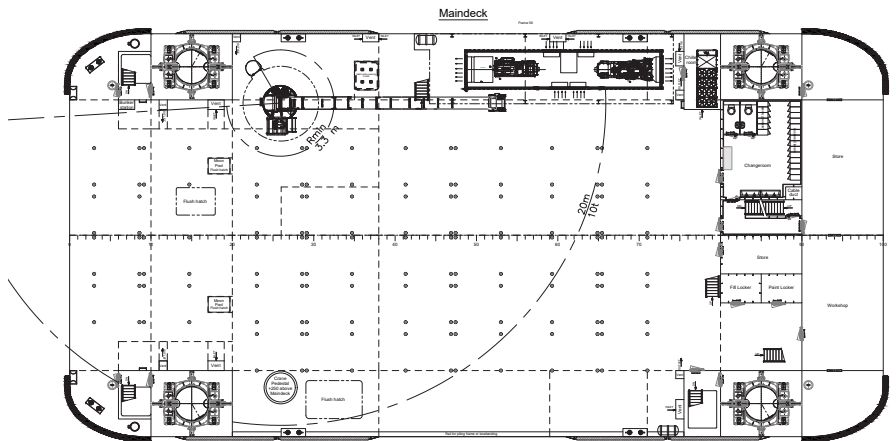
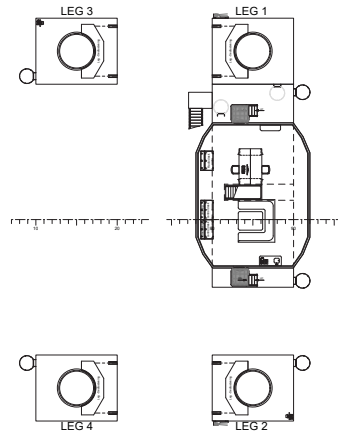
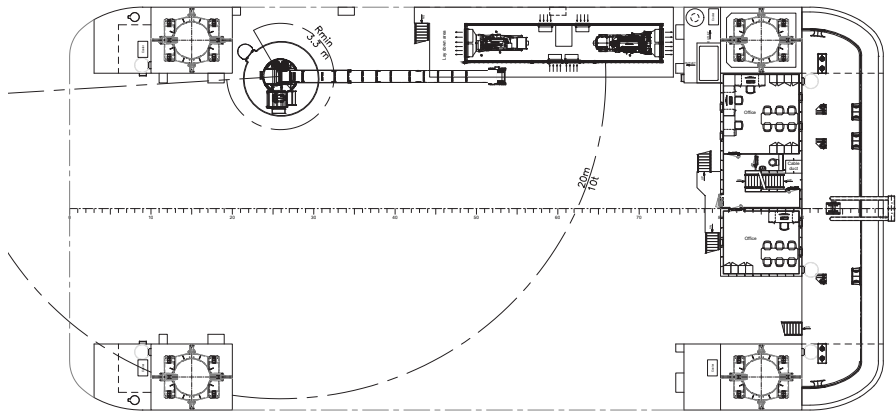
CAPACITY	
FUEL OIL	70 m ³
HYDRAULIC OIL	35 m ³
FRESH WATER	TBC
ACCOMMODATION	
FACILITIES	Airconditioned accommodation for up to 40 persons. Gym and rec room facilities Pilling bull rail on sbd side and aft end full CTV ladder. IMCA & IJUBOA compliant fully equipped, full Wifi access on board
DECK SPAGE AND LOADINGS FREE DECK AREA DECKLOAD- ING P/M2	XX m2 xxtp/m2



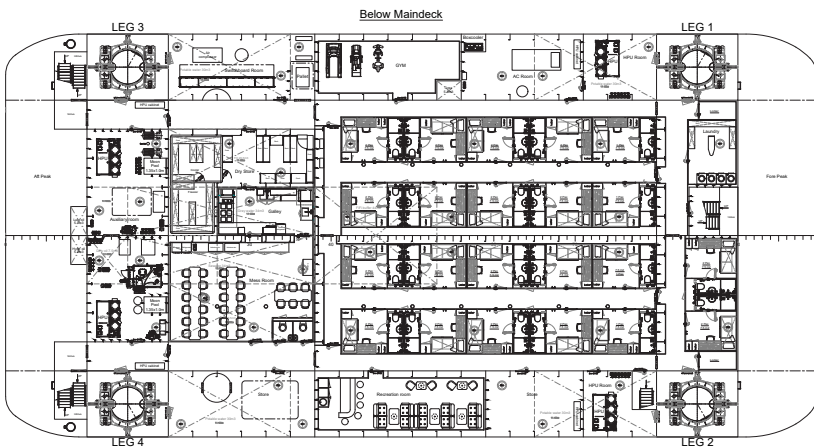
ForeCastle deck



Control Room deck



Aft View



EuroJack-Up 5025 | NP 525

For more information, please contact us on:
 T +31 (0)184 621 423 E info@neptunemarine.com W www.neptunemarine.com
 Version: V.02

