



The robust, efficient and flexible design of the AH Tug makes it one of the best vessels for anchor handling, dredging support and long distance towages. The AH Tug can be adapted to perfectly fit any project within a short time.

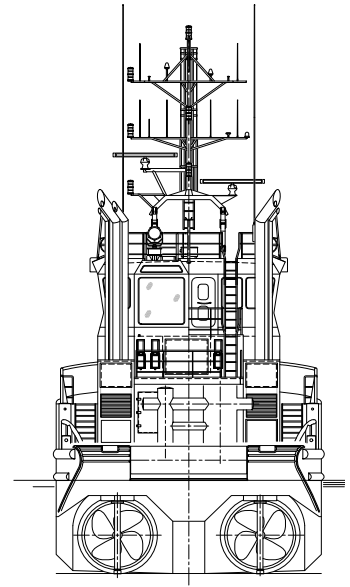
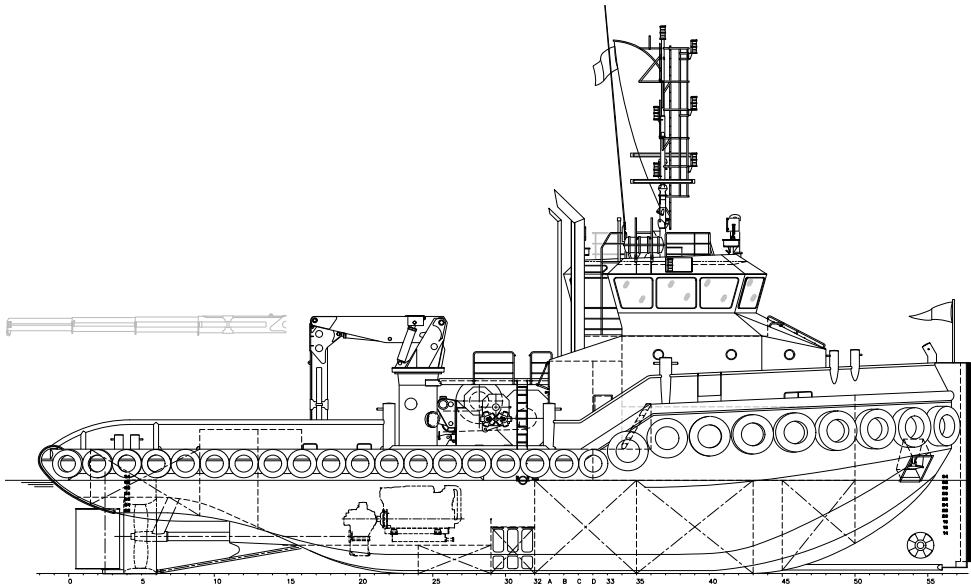


EuroTug 3209 | Neptun Master

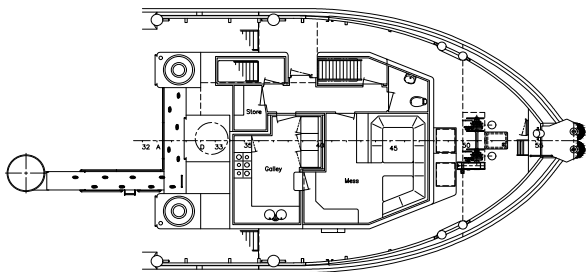
GENERAL	
YEAR OF BUILD	2012
HOME PORT	Aalst
FLAG	Dutch
CLASSIFICATION	Bureau Veritas I ✘ HULL • MACH • AUT-UMS Unrestricted Navigation

DIMENSIONS	
LENGTH O.A.	32,3 meter
BREADTH MLD.	9,10 meter
DRAFT MIN	2,80 meter
DRAFT OPERATING	3,00 meter
DRAFT MAX.	3,40 meter
GROSS TONNAGE	327
NET TONNAGE	98
PERFORMANCES	
MAXIMUM SPEED	11,5 knots
ECONOMIC SPEED	8,00 knots
BOLLARD PULL	47,6
PROPULSION	
MAIN ENGINES	2 x CAT 3512 BTA
TOTAL POWER	2.498 kW
PROPELLERS	2x promarin fixed pitch
TANKS	
FUEL OIL	220 m ³
HYDR. OIL	3,0 m ³
LUBR. OIL	7,3 m ³
DIRTY OIL	4,3 m ³
FRESH WATER	40,8 m ³
SEWAGE	3,4 m ³
BILGE WATER	4,3 m ³

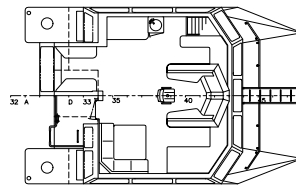
DECK LAY-OUT	
GENERATOR SETS	2x CAT C4, 4 TA
BOW THRUSTER	350 BHP hydraulic driven
FREE DECK SPACE	75 m ²
DECK STRENGTH	15,0 t/m ²
ANCHOR HANDLING/TOWING WINCH	RIDDERINKHOFF WATERFALL
AH PULL/HOLD	100/150t
TOW PULL/HOLD	50/150t
AH WIRE CAPACITY	720 m 44 mm
TOW WIRE CAPACITY	800 m 44 mm
TOWING PINS	SWL 100 t
FUEL OIL TRANSFERPUMP	50 m ³
FRESH WATER TRANSFER	50 m ³
FRESH WATER MAKER	Yes
TUGGER WINCH	8 t
DECK CRANE	HEILA HLRM 170-4SL 5,30 t @ 18,00m
HPU	1x CAT 18 TAB
ACCOMMODATION	
PERSONS	7
SINGLE BED	3
DOUBLE BED	2
AIR CONDITIONING	YES



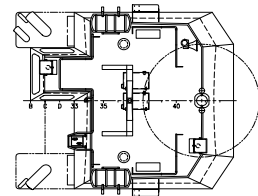
Forecastledeck



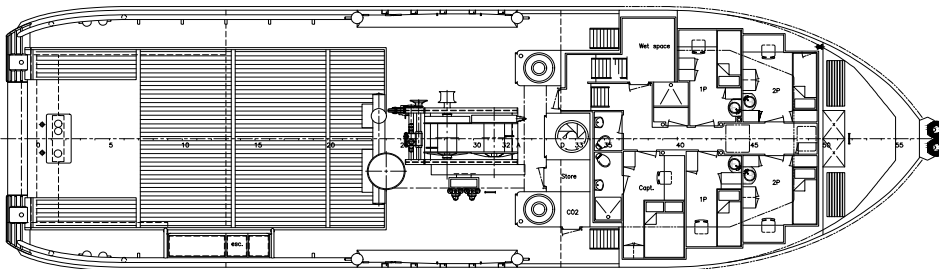
Wheelhousedeck



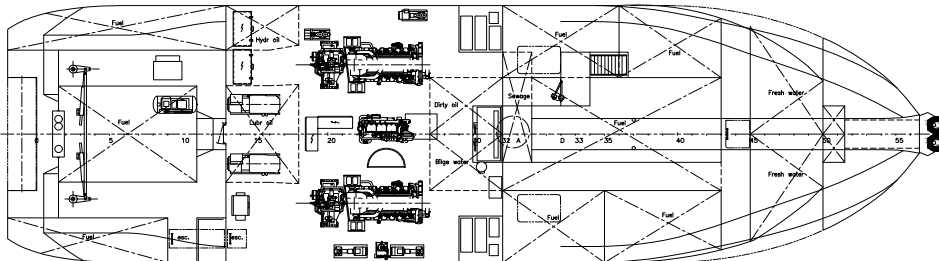
Topdeck



Maindeck



Below maindeck



EuroTug3209 | Neptun Master

For more information, please contact us on:

T +31 (0)184 621 423 E info@neptunmarine.com W www.neptunmarine.com

Version: V.02

