

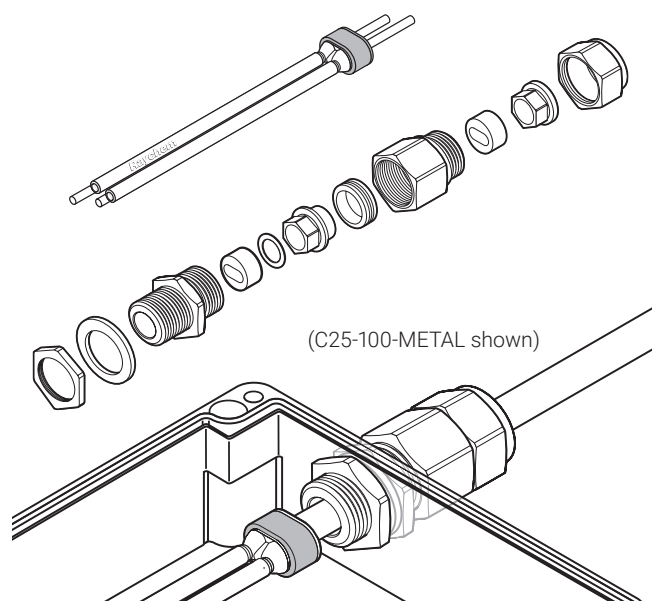
# C25-100-METAL and C3/4-100-METAL



**RAYCHEM**

## CONNECT AND PROTECT

### Cold applied metal connection kit



These connection kits are designed for terminating all nVent RAYCHEM BTV, QTVR, XTV, KTV, HTV and VPL industrial parallel heating cables to a junction box, whilst maintaining electrical insulation of the heating cable conductors and core.

The braid is directly connected to the metal gland body. The connection kits can be used with metal boxes or plastic boxes with internal earthing plate. They are approved for use in hazardous areas.

The core sealing boot does not require a heat gun or torch for the installation (no hot work permit necessary). The non-curing sealant allows easy installation and facilitates maintenance purposes.

The C25-100-METAL kit is designed for use with M25 entries, the C3/4-100-METAL for 3/4" NPT entries.

A metal locknut is included.



#### APPLICATION

	<b>nVent RAYCHEM C25-100-METAL C3/4-100-METAL</b>
	Connection kit for BTV, QTVR, XTV, KTV, HTV and VPL parallel heating cables

#### KIT CONTENTS

	1 gland, 2 grommets, 1 locknut and sealing washer (only M25), 1 core sealer, 1 installation instruction (multilingual).
--	---

#### APPROVALS

C25-100-METAL C3/4-100-METAL C25-100-METAL-NP C3/4-100-METAL-NP C25-100-METAL-SS	Baseefa16ATEX0039U  II 2 GD Ex eb IIC Gb Ex tb IIIC Db IECEX BAS 16.0042U Ex eb IIC Gb Ex tb IIIC Db For HTV heating cables, the following systems certificates are applicable: PTB 21 ATEX 1003X and IECEX PTB 21.0007X  <b>ERC</b>  TC RU C-BE.MЮ62.B.00054/18 Ex e IIC Gb U Ex tb IIIC Db U Ta -60°C...+180°C IP68 000 "ТехИмпорт"
--	--

## SPECIFICATION FOR GLAND

	C25-100-METAL	C3/4-100-METAL
Area classification	Hazardous Zone 1 and 2 (Gas), Zone 21 and 22 (Dust), ordinary In- and outdoors	Hazardous Zone 1 and 2 (Gas), Zone 21 and 22 (Dust), ordinary In- and outdoors
Thread size	M25 x 1.5	3/4" NPT
Gland material	Brass	Brass
Min. ambient temperature	-60°C	-60°C
Max. exposure temperature	180°C	180°C

## ORDERING DETAILS

Part description	C25-100-METAL	C3/4-100-METAL
PN (Weight)	875016-000 (0.31 kg)	440588-000 (0.3 kg)
Gland material	Brass	Brass
Part description	C25-100-METAL-NP	C3/4-100-METAL-NP
PN (Weight)	1244-002296 (0.31 kg)	1244-001350 (0.3 kg)
Gland material	Nickel Plated Brass	Nickel Plated Brass
Part description	C25-100-METAL-SS	
PN (Weight)	1244-017869 (0.3kg)	
Gland material	Stainless Steel	

### North America

Tel +1.800.545.6258  
Fax +1.800.527.5703  
thermal.info@nVent.com

### Europe, Middle East, Africa

Tel +32.16.213.502  
Fax +32.16.213.604  
thermal.info@nVent.com

### Asia Pacific

Tel +86.21.2412.1688  
Fax +86.21.5426.3167  
cn.thermal.info@nVent.com

### Latin America

Tel +1.713.868.4800  
Fax +1.713.868.2333  
thermal.info@nVent.com



Our powerful portfolio of brands:

**CADDY ERICO HOFFMAN RAYCHEM SCHROFF TRACER**