

Y-Verteiler

Y-Manifolds

RoHS

Material:
Polyamid 66
Polyamid 46 auf Anfrage

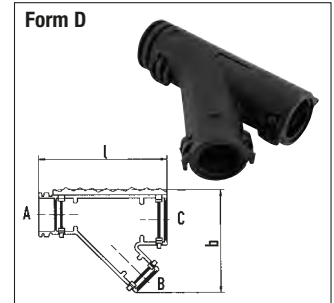
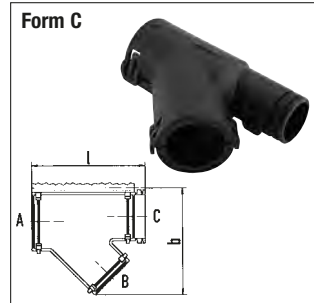
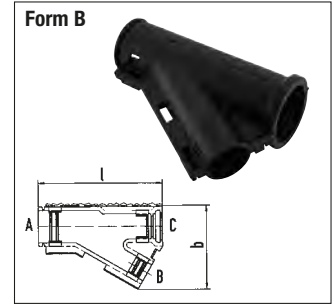
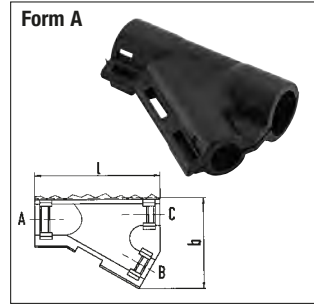
Temperaturbereich:
-40°C bis 135°C
500 h: -40°C bis 150°C

Farbe(n)/Ausführungen:
• Schwarz
• Form „N“ und „O“ nur für Normalprofil geeignet

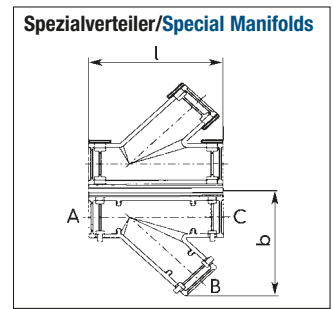
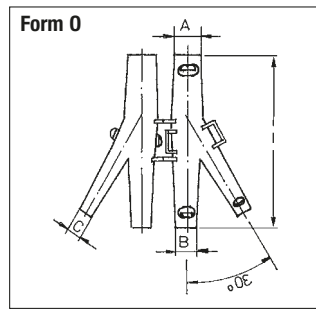
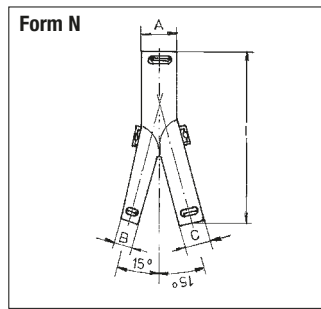
Material:
Polyamide 66
Polyamide 46 on request

Temperature range:
-40°C to 135°C
500 h: -40°C to 150°C

Colour(s)/Designs:
• Black
• Form "N" and "O" only for normal profile



| Form | außen- greifend | Schnapp- verschluss | Bügel- verschluss | Steck- fuß- ein- schub | Außen- einhängen- kontur an Abgang C | Well- schlauch- anschlag innen | passend für Wellenschlauch-Profil NW (A-B-C) Normal +UFW | AHW | selbst- schließen- d L-Profil | verschieb- bar V-Profil | b mm | l mm | Art.-Nr. | VE Stck. |
|----------------------------------|---------------------|------------------------|----------------------|---------------------------------|---|--|---|-------------|-------------------------------------|-------------------------------|---------|---------|----------|-------------|
| Form | outside gripping | Snap lock | Clamp lock | Plug socket slide in | exterior hook-up on branch C | stop ridge for corru- gated tube inside | suitable for corrugated tube profile NW (A-B-C) normal +UFW | AHW | self closing L-Profile | lockable V-Profile | b mm | l mm | Art. no. | PU pcs. |
| A | ✓ | ✓ | | | | | 7,5-4,5-4,5 | 6-4,5-4,5 | 7,5-4,5-4,5 | | 30,0 | 40,0 | 9817080 | 1000 |
| A | ✓ | ✓ | | | | | 7,5-4,5-7,5 | 6-4,5-6 | 7,5-4,5-7,5 | | 30,0 | 40,0 | 9817083 | 1000 |
| B | ✓ | ✓ | | | ✓ | | 17-13-17 | 15-11-15 | 17-13-17 | 15-11-15 | 58,4 | 78,8 | 9817201 | 500 |
| B | ✓ | ✓ | | | ✓ | | 22-10-17 | 19- 8,5-15 | | 19- 8,5-15 | 57,1 | 68,8 | 9817200 | 500 |
| B | ✓ | ✓ | | | ✓ | | 22-13-17 | 19-11-15 | | 19-11-15 | 55,1 | 60,3 | 9817203 | 500 |
| B | ✓ | ✓ | | | ✓ | | 22-17-17 | 19-15-15 | | 19-15-15 | 58,9 | 67,9 | 9817202 | 500 |
| C | ✓ | | ✓ | ✓ | | | 4,5-4,5-4,5 | 4,5-4,5-4,5 | 4,5-4,5-4,5 | | 27,8 | 33,0 | 9817050 | 1000 |
| C | ✓ | | ✓ | ✓ | ✓ | | 13-7,5-10 | 11-6-8,5 | 13-7,5-10 | | 39,5 | 47,3 | 9817304 | 500 |
| C | ✓ | | ✓ | ✓ | ✓ | | 13-10-10 | 11-8,5-8,5 | 13-10-10 | 11-8,5-8,5 | 45,4 | 59,9 | 9817306 | 500 |
| C | ✓ | | ✓ | ✓ | ✓ | | 13-10-13 | 11-8,5-11 | 13-10-13 | 11-8,5-11 | 45,6 | 59,9 | 9817305 | 500 |
| C | ✓ | | ✓ | ✓ | ✓ | | 13-13-13 | 11-11-11 | 13-13-13 | 11-11-11 | 46,6 | 59,9 | 9817308 | 500 |
| C | ✓ | | ✓ | ✓ | ✓ | | 17-13-10 | 15-11-8,5 | 17-13-17 | 15-11-8,5 | 46,9 | 59,9 | 9817310 | 500 |
| C | ✓ | | ✓ | ✓ | ✓ | | 17-17-10 | 15-15-8,5 | 17-17-10 | 15-15-8,5 | 48,8 | 59,9 | 9817309 | 500 |
| C | ✓ | | ✓ | ✓ | ✓ | | 22-13-22 | 19-11-19 | | 19-11-19 | 56,4 | 63,5 | 9817311 | 100 |
| C | ✓ | | ✓ | ✓ | ✓ | | 22-22-22 | 19-19-19 | | 19-19-19 | 64,7 | 76,7 | 9817302 | 250 |
| C | ✓ | | ✓ | ✓ | ✓ | | 26-22-22 | 26-19-19 | | 26-19-19 | 64,7 | 69,4 | 9817300 | 500 |
| C | ✓ | | ✓ | ✓ | | | 29-29-22 | 29-29-19 | | | 95,0 | 79,6 | 9817243 | 200 |
| C | ✓ | | ✓ | ✓ | | | 37-29-22 | | | | 102,0 | 88,6 | 9817244 | 200 |
| C | ✓ | | ✓ | ✓ | | | 37-37-22 | | | | 113,0 | 98,5 | 9817241 | 150 |
| ähnlich Form C/similar to Form C | | | | | | | | | | | | | | |
| | ✓ | | ✓ | ✓ | | | 8,5-8,5-8,5 | | 8,5-8,5-8,5 | | 38,9 | 45,0 | 9817040 | 500 |
| | ✓ | | ✓ | ✓ | | ✓ | 10-8,5-8,5 | | 10-8,5-8,5 | | 39,4 | 45,0 | 9817041 | 500 |
| | ✓ | | ✓ | ✓ | ✓ | | 10-8,5-10 | | 10-8,5-10 | | 40,0 | 51,2 | 9817030 | 500 |
| | ✓ | | ✓ | ✓ | | ✓ | 13-8,5-8,5 | | 13-8,5-8,5 | | 37,9 | 40,0 | 9817037 | 500 |
| | ✓ | | ✓ | ✓ | ✓ | | 13-8,5-10 | | 13-8,5-10 | | 40,1 | 49,2 | 9817031 | 500 |
| | ✓ | | ✓ | ✓ | ✓ | | 13-8,5-13 | | 13-8,5-13 | | 43,0 | 51,9 | 9817032 | 500 |
| | ✓ | | ✓ | ✓ | | ✓ | 17-8,5-13 | | 17-8,5-13 | | 43,3 | 47,9 | 9817039 | 500 |
| | ✓ | | ✓ | ✓ | ✓ | | 17-10-10 | 15-8,5-8,5 | 17-10-10 | 15-8,5-8,5 | 41,9 | 46,2 | 9817033 | 500 |
| | ✓ | | ✓ | ✓ | ✓ | ✓ | 17-10-17 | 15-8,5-15 | 17-10-17 | 15-8,5-15 | 49,7 | 55,6 | 9817038 | 500 |
| | ✓ | | ✓ | ✓ | ✓ | | 17-10-13 | 15-8,5-11 | 17-10-13 | 15-8,5-11 | 44,0 | 48,9 | 9817035 | 500 |
| | ✓ | | ✓ | ✓ | ✓ | ✓ | 17-13-13 | 15-11-11 | 17-13-13 | 15-11-11 | 46,2 | 52,9 | 9817036 | 500 |
| | ✓ | | ✓ | ✓ | ✓ | ✓ | 22-10-22 | 19-8,5-19 | | 19-8,5-19 | 54,2 | 54,3 | 9817034 | 100 |
| D | ✓ | | ✓ | | ✓ | | 10-10-10 | 8,5-8,5-8,5 | 10-10-10 | 8,5-8,5-8,5 | 43,0 | 54,4 | 9817303 | 500 |
| D | ✓ | | ✓ | | | | 26-10-26 | 26-8,5-26 | | | 62,0 | 60,8 | 9817242 | 300 |
| D | ✓ | | ✓ | | | | 29-22-26 | 29-19-26 | | | 75,0 | 72,7 | 9817240 | 500 |
| D | ✓ | | ✓ | | | | 29-26-29 | 29-26-29 | | | 95,0 | 80,5 | 9817044 | 300 |
| D | ✓ | | ✓ | | | | 37-22-37 | | | | 93,0 | 86,5 | 9817247 | 200 |



| Form | außen- greifend | innen- greifend | Steckfuß- einschub | passend für Well Schlauch-Profil NW (A-B-C) Normal + UFW | | selbst- schließend L-Profil | verschleiß- bar V-Profil | b mm | l mm | Art.-Nr. | VE Stck. |
|---|---------------------|--------------------|-------------------------|---|----------|-----------------------------------|--------------------------------|---------|---------|----------|-------------|
| Form | outside gripping | inside gripping | Plug socket slide in | normal + UFW | AHW | self closing L-Profil | lockable V-Profil | b mm | l mm | Art. no. | PU pcs. |
| N | | ✓ | | 8,5-8,5-8,5 | | | | | 66,0 | 9817085 | 100 |
| N | | ✓ | | 10-8,5-8,5 | | | | | 66,0 | 9817107 | 1000 |
| N | | ✓ | | 13-10-10 | | | | | 72,3 | 9805575 | 500 |
| N | | ✓ | | 13-13-10 | | | | | 76,0 | 9805583 | 100 |
| N | | ✓ | | 17-10-10 | | | | | 67,0 | 9805559 | 100 |
| N | | ✓ | | 17-13-10 | | | | | 83,0 | 9805567 | 100 |
| N | | ✓ | | 17-13-13 | | | | | 83,0 | 9805540 | 100 |
| N | | ✓ | | 17-17-10 | | | | | 85,0 | 9806059 | 100 |
| N | | ✓ | | 22-22-8,5 | | | | | 95,0 | 9817220 | 100 |
| N | | ✓ | | 22-22-10 | | | | | 95,0 | 9806032 | 100 |
| N | | ✓ | | 22-22-13 | | | | | 100,0 | 9806016 | 100 |
| N | | ✓ | | 22-22-17 | | | | | 100,0 | 9806040 | 100 |
| N | | ✓ | | 22-22-22 | | | | | 105,0 | 9817212 | 100 |
| N | | ✓ | | 26-22-22 | | | | | 105,0 | 9806045 | 100 |
| N | | ✓ | | 29-22-22 | | | | | 110,0 | 9817352 | 100 |
| N | | ✓ | | 29-22-22 | | | | | 110,0 | 9806024 | 100 |
| O | | ✓ | | 10-10-10 | | | | | 64,0 | 9805524 | 100 |
| O | | ✓ | | 13-10-8,5 | | | | | 69,0 | 9817131 | 100 |
| O | | ✓ | | 13-13-8,5 | | | | | 85,0 | 9817336 | 100 |
| O | | ✓ | | 17-10-8,5 | | | | | 85,0 | 9817158 | 100 |
| O | | ✓ | | 17-10-17 | | | | | 85,0 | 9817159 | 100 |
| O | | ✓ | | 17-17-8,5 | | | | | 85,0 | 9817174 | 100 |
| O | | ✓ | | 17-17-13 | | | | | 85,0 | 9817190 | 100 |
| O | | ✓ | | 22-17-13 | | | | | 85,0 | 9805532 | 100 |
| O | | ✓ | | 22-17-17 | | | | | 105,0 | 9817344 | 100 |
| O | | ✓ | | 26-17-22 | | | | | 105,0 | 9817396 | 250 |
| O | | ✓ | | 26-22-17 | | | | | 105,0 | 9817395 | 100 |
| O | | ✓ | | 26-22-17 | | | | | 105,0 | 9817301 | 100 |
| O | | ✓ | | 26-26-8,5 | | | | | 105,0 | 9817360 | 100 |
| O | | ✓ | | 26-26-8,5 | | | | | 105,0 | 9817263 | 100 |
| O | | ✓ | | 26-26-10 | | | | | 105,0 | 9817379 | 100 |
| O | | ✓ | | 26-26-10 | | | | | 105,0 | 9817280 | 100 |
| O | | ✓ | | 26-26-17 | | | | | 105,0 | 9817387 | 100 |
| O | | ✓ | | 26-26-17 | | | | | 105,0 | 9817328 | 100 |
| O | | ✓ | | 29-29-17 | | | | | 109,0 | 9806026 | 100 |
| O | | ✓ | | 29-29-22 | | | | | 109,0 | 9806025 | 100 |
| Spezialverteiler/Special Manifolds | | | | | | | | | | | |
| | ✓ | | | 13-13-17 | 11-11-15 | 13-13-17 | 11-11-15 | 50,8 | 55,0 | 9817312 | 100 |
| | ✓ | | ✓ | 26-26-17 | 26-26-15 | | 26-26-15 | 70,0 | 81,8 | 9817250 | 100 |
| | ✓ | | | 26-26-26 | 26-26-26 | | 26-26-26 | 71,0 | 75,0 | 9817060 | 100 |

2.3