

T-Verteiler

T-Manifolds

RoHS

Material:
Polyamid 66
Polyamid 46 auf Anfrage

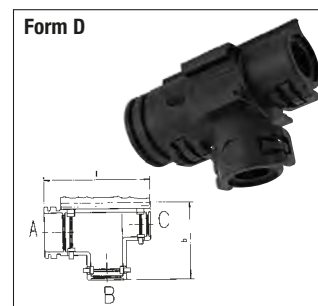
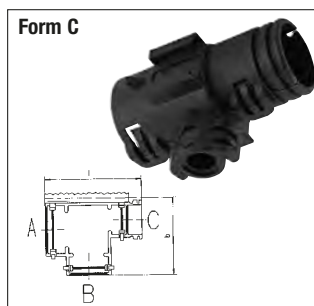
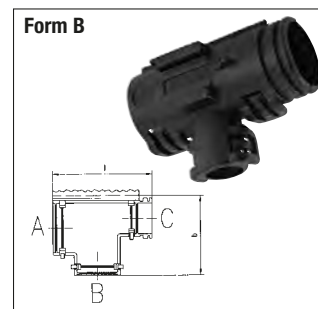
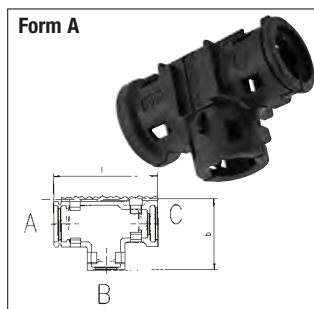
Temperaturbereich:
-40°C bis 135°C
500 h: -40°C bis 150°C

Farbe(n)/Ausführungen:
• Schwarz

Material:
Polyamide 66
Polyamide 46 on request

Temperature range:
-40°C to 135°C
500 h: -40°C to 150°C

Colour(s)/Designs:
• Black

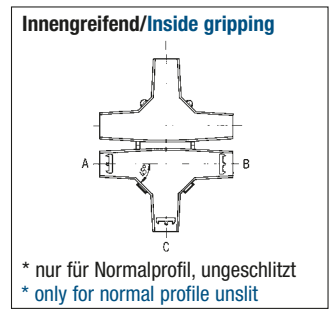
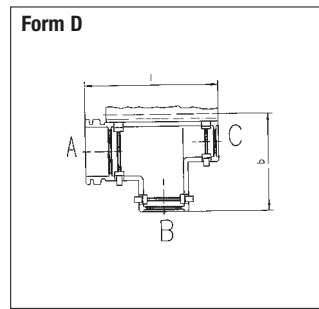
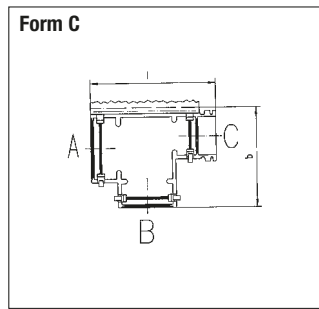


Form	außen- greifend	Schnapp- verschluss	Bügel- verschluss	Steck- fuß- einschub	Außen- einhänge- kontur an Abgang C	passend für Wellenschlauch-Profil NW (A-B-C) Normal +UFW	AHW	selbst- schließend L-Profil	verschieß- bar V-Profil	b mm	l mm	Art.-Nr.	VE Stck.
Form	outside gripping	Snap lock	Clamp lock	Plug socket slide in	exterior hook-up on branch C	suitable for corrugated tube profile NW (A-B-C) normal +UFW	AHW	self closing L-Profile	lockable V-Profile	b mm	l mm	Art. no.	PU pcs.
A	✓	✓		✓		7,5-7,5-7,5	6-6-6	7,5-7,5-7,5		24,7	33,4	9806082	500
A	✓	✓		✓		8,5-8,5-10		8,5-8,5-10		27,2	37,6	9806088	500
A	✓	✓		✓		10-7,5-7,5	8,5-6-6	10-7,5-7,5		24,7	36,0	9806087	1000
A	✓	✓		✓		10-8,5-10		10-8,5-10		26,9	37,5	9806086	500
A	✓	✓		✓		10-10-7,5	8,5-8,5-6	10-10-7,5		26,8	38,5	9806097	500
A	✓	✓		✓		10-10-10	8,5-8,5-8,5	10-10-10	8,5-8,5-8,5	26,7	39,2	9806089	500
A	✓	✓		✓		13-7,5-13	11-6-11	13-7,5-13		30,9	35,8	9806092	500
A	✓	✓		✓		13-10-10	11-8,5-8,5	13-10-10	11-8,5-8,5	29,1	38,9	9806091	500
A	✓	✓		✓		13-13-7,5	11-11-6	13-13-7,5		30,3	41,5	9806093	500
A	✓	✓		✓		17-7,5-17	15-6-15	17-7,5-17		34,6	37,5	9806095	500
A	✓	✓		✓		17-10-17	15-8,5-15	17-10-17	15-8,5-15	35,8	40,5	9806094	500
A	✓	✓		✓		17-13-13	15-11-11	17-13-13	15-11-11	34,6	43,2	9806096	500
A	✓	✓		✓		17-17-7,5	15-15-6	17-17-7,5		39,5	48,9	9806099	250
A	✓		✓			29-22-29				57,3	60,0	9806320	400
A	✓		✓			37-13-37				70,5	65,4	9806322	400
A	✓		✓			37-17-37				75,5	67,4	9806321	300
A	✓		✓			37-26-37				86,0	67,4	9806324	300
B	✓		✓	✓		4,5-4,5-4,5	4,5-4,5-4,5	4,5-4,5-4,5		24,1	30,0	9806162	500
B	✓		✓	✓	✓	7,5-4,5-7,5	6-4,5-6	7,5-4,5-7,5		25,7	36,6	9806081	500
B	✓		✓	✓	✓	7,5-7,5-4,5	6-6-4,5	7,5-7,5-4,5		25,7	33,2	9806168	500
B	✓		✓	✓	✓	7,5-7,5-7,5	6-6-6	7,5-7,5-7,5		26,1	39,2	9806083	500
B	✓		✓	✓	✓	7,5-10-7,5	6-8,5-6	7,5-10-7,5		26,1	42,4	9806180	250
B	✓		✓	✓	✓	8,5-8,5-8,5		8,5-8,5-8,5		29,0	43,4	9806133	500
B	✓		✓	✓	✓	8,5-8,5-10		8,5-8,5-10		28,5	41,1	9806079	500
B	✓		✓	✓	✓	10-4,5-7,5	8,5-4,5-6	10-4,5-7,5		33,7	50,8	9806197	500
B	✓		✓	✓	✓	10-4,5-10	8,5-4,5-8,5	10-4,5-10		28,7	36,6	9806105	500
B	✓		✓	✓	✓	10-7,5-4,5	8,5-6-4,5	10-7,5-4,5		33,7	44,0	9806170	500
B	✓		✓	✓	✓	10-7,5-10	8,5-6-8,5	10-7,5-10		28,7	39,4	9806111	500

2.3

Form	außen- greifend	Bügel- verschluss	Steck- fuß- einschub	Außen- ein- hänge- kontur an Abgang C	Glatt	passend für Wellschlauch-Profil NW (A-B-C)				b	l	Art.-Nr.	VE
Form	outside gripping	Clamp lock	Plug socket slide in	exterior hook-up on branch C	smooth	Normal +UFW	AHW	selbst- schlie- ßend L-Profil	verschie- bar V-Profil	mm	mm	Art. no.	PU pcs.
						suitable for corrugated tube normal +UFW	AHW	self closing L-Profile	lockable V-Profile	mm	mm	Art. no.	PU pcs.
B	✓	✓	✓			10-10-4,5	8,5-8,5-4,5	10-10-4,5		33,7	44,6	9806169	500
B	✓	✓	✓	✓		10-10-7,5	8,5-8,5-6	10-10-7,5		28,7	42,4	9806160	500
B	✓	✓	✓	✓		10-10-10	8,5-8,5-8,5	10-10-10	8,5-8,5-8,5	28,8	42,4	9806138	500
B	✓	✓	✓	✓		13- 4,5-13	11-4,5-11	13-4,5-13		53,0	36,6	9806307	500
B	✓	✓	✓	✓		13-7,5-13	11-6-11	13-7,5-13		31,7	40,1	9806158	500
B	✓	✓	✓	✓		13-8,5-10		13-8,5-10			52,3	9806175	500
B	✓	✓	✓			13-10-4,5	11-8,5-4,5	13-10-4,5		46,1	36,6	9806171	500
B	✓	✓	✓	✓		13-10-7,5	11-8,5-6	13-10-7,5	11-8,5-6	36,6	52,3	9806172	500
B	✓	✓	✓	✓		13-10-13	11-8,5-11	13-10-13	11-8,5-11	31,6	43,6	9806101	500
B	✓	✓	✓	✓		13-13-7,5	11-11-6	13-13-7,5		31,6	45,3	9806159	500
B	✓	✓	✓	✓		13-13-10	11-11-8,5	13-13-10	11-11-8,5	31,6	45,3	9806104	500
B	✓	✓	✓	✓		17-4,5-17	15-4,5-15	17-4,5-17		37,0	40,8	9806161	500
B	✓	✓	✓	✓		17- 7,5-13	15-6-11	17-7,5-13		36,9	41,0	9806100	500
B	✓	✓	✓	✓		17-7,5-17	15-6-15	17-7,5-17		37,0	40,8	9806137	500
B	✓	✓	✓	✓		17-10-13	15-8,5-11	17-10-13	15-8,5-11	36,9	43,6	9806107	500
B	✓	✓	✓	✓		17-10-17	15-8,5-15	17-10-17	15-8,5-15	37,0	43,8	9806136	500
B	✓	✓	✓	✓		17-13-13	15-11-11	17-13-13	15-11-11	36,9	46,0	9806166	500
B	✓	✓	✓	✓		17-13-17	15-11-15	17-13-17	15-11-15	36,3	50,1	9806141	250
B	✓	✓	✓	✓		17-17-7,5	15-15-6	17-17-7,5		36,9	50,6	9806167	500
B	✓	✓	✓	✓		17-22-17	15-19-15		15-19-15	39,3	59,9	9806135	250
B	✓	✓	✓	✓		22-4,5-22	19-4,5-19			37,0	41,4	9806106	500
B	✓	✓	✓	✓		22-7,5-22	19-6-19			41,4	39,5	9806113	500
B	✓	✓	✓	✓		22-8,5-22				47,0	66,4	9806149	500
B	✓	✓	✓	✓		22-10-10	19-8,5-8,5		19-8,5-8,5	47,0	66,3	9806143	500
B	✓	✓	✓	✓		22-10-17	19-8,5-15		19-8,5-15	47,0	67,7	9806179	500
B	✓	✓	✓	✓		22-10-22	19-8,5-19		19-8,5-19	41,5	42,5	9806121	500
B	✓	✓	✓	✓	✓	22-10-22	19-8,5-19		19-8,5-19	66,4	47,0	9806164	100
B	✓	✓	✓	✓		22-13-17	19-11-15		19-11-15	41,4	46,7	9806114	250
B	✓	✓	✓	✓		22-13-22	19-11-19		19-11-19	41,4	46,4	9806108	500
B	✓	✓	✓	✓		22-17-13	19-15-11		19-15-11	41,9	51,3	9806103	500
B	✓	✓	✓	✓		22-22-10	19-19-8,5		19-19-8,5			9806178	250
B	✓	✓	✓	✓		22-22-13	19-19-11		19-19-11	43,8	58,5	9806142	250
B	✓	✓	✓	✓		22-22-22	19-19-19		19-19-19	42,4	56,2	9806102	250
B	✓	✓	✓	✓	✓	22-22-22	19-19-19		19-19-19	66,4	47,0	9806165	500
B	✓	✓	✓	✓		22-26-17	19-26-15		19-26-15	42,5	57,0	9806184	250
B	✓	✓	✓	✓		22-29-26				48,5	60,0	9806182	250
B	✓	✓	✓	✓		26-4,5-22	26-4,5-19			53,0	72,3	9806153	100
B	✓	✓	✓	✓		26-4,5-26	26-4,5-26			53,0	73,0	9806144	500
B	✓	✓	✓	✓		26-7,5-22	26-6-19			53,0	72,3	9806156	500
B	✓	✓	✓	✓		26-7,5-26	26-6-26			53,0	73,0	9806177	500
B	✓	✓	✓	✓		26-8,5-26				53,0	73,0	9806145	500
B	✓	✓	✓	✓		26-10-26	26-8,5-26		26-8,5-26	47,6	45,1	9806129	500
B	✓	✓	✓	✓		26-13-13	26-11-11		26-11-11	53,0	72,9	9806140	500
B	✓	✓	✓	✓		26-13-22	26-11-19		26-11-19	53,0	72,3	9806148	500
B	✓	✓	✓	✓		26-13-26	26-11-26		26-11-26	53,0	73,0	9806147	500
B	✓	✓	✓	✓		26-17-17	26-15-15		26-15-15	49,0	52,5	9806109	250
B	✓	✓	✓	✓		26-17-22	26-15-19		26-15-19	47,3	50,7	9806119	500
B	✓	✓	✓	✓		26-17-26	26-15-26		26-15-26	53,0	73,0	9806146	500
B	✓	✓	✓	✓		26-22-22	26-19-19		26-19-19	47,3	55,2	9806112	250
B	✓	✓	✓	✓		26-26-10	26-26-8,5		26-26-8,5	53,0	72,2	9806174	250
B	✓	✓	✓	✓		26-26-13	26-26-11		26-26-11	53,0	72,9	9806134	500
B	✓	✓	✓	✓		26-26-22	26-26-19		26-26-19	47,4	61,2	9806110	250
B	✓	✓	✓	✓		26-26-26	26-26-26		26-26-26	53,0	73,0	9806157	500
B	✓	✓	✓	✓		29-13-29				51,5	41,5	9806183	250
B	✓	✓	✓	✓		29-17-26				51,4	46,4	9806181	250
B	✓	✓	✓	✓		29-17-29				53,5	59,6	9806301	500
B	✓	✓	✓	✓		37-13-26				50,2	57,9	9806205	100
B	✓	✓	✓	✓		50-26-50				69,5	82,0	9806204	100
B	✓	✓	✓	✓		50-37-26				80,8	78,8	9806209	125
B	✓	✓	✓	✓		50-37-50				96,0	78,9	9806208	50

T-Verteiler
T-Manifolds



Form	außen- greifend	innen- greifend	Schnapp- verschluss	Bügel- verschluss	Steck- fuß- ein- schub	Außen- einhäng- kontur an Abgang C	Well- schlauch- anschlag innen	Außen- einhäng- kontur an Abgang A	passend für Wellenschlauch-Profil NW (A-B-C)				b	l	Art.-Nr.	VE
Form	outside gripping	inside gripping	Snap lock	Clamp lock	Plug socket slide in	exterior hook-up on branch C	stop ridge for corruga- ted tube inside	exterior hook-up on branch A	Normal +UFW	AHW	selbst- schlieBend L-Profil	verschieB- bar V-Profil	b mm	l mm	Art. no.	PU pcs.
									suitable for corrugated tube profile NW (A-B-C)							
									normal +UFW	AHW	self closing L-Profil	lockable V-Profil				
C	✓			✓	✓	✓	✓		7,5-4,5-4,5	6-4,5-4,5	7,5-4,5-4,5		24,7	37,7	9806125	1000
C	✓			✓	✓	✓	✓		10-8,5-8,5		10-8,5-8,5		29,1	36,0	9806188	500
C	✓			✓	✓	✓	✓		10-8,5-10		10-8,5-10		29,1	42,2	9806189	500
C	✓			✓	✓	✓	✓		10-10-8,5		10-10-8,5		29,1	37,0	9806185	500
C	✓			✓	✓	✓	✓		10-13-10	8,5-11-8,5	10-13-10	8,5-11-8,5	29,1	46,2	9806186	500
C	✓			✓	✓	✓	✓		13-4,5-10	11-4,5-8,5	13-4,5-10		30,6	39,5	9806127	500
C	✓			✓	✓	✓	✓		13-8,5-13		13-8,5-13		31,6	42,4	9806118	1400
C	✓			✓	✓	✓	✓		13-13-13	11-11-11	13-13-13	11-11-11	31,9	46,6	9806115	500
C	✓			✓	✓	✓	✓		17-8,5-17				36,9	46,0	9806120	250
C	✓			✓	✓	✓	✓		17-17-13	15-15-11		15-15-11	37,2	51,9	9806187	500
C	✓			✓	✓	✓	✓		22-22-17	19-19-15		19-19-15	43,8	60,6	9806126	900
C	✓			✓	✓	✓	✓		22-23-10				42,2	60,6	9806116	250
C	✓			✓	✓	✓	✓		22-23-13				42,2	61,3	9806117	250
C	✓			✓	✓	✓	✓		23-22-22				46,6	58,4	9806122	250
C	✓			✓	✓	✓	✓		26-17-10	26-15-8,5		26-15-8,5	49,0	51,8	9806123	250
C	✓			✓	✓	✓	✓		26-17-13	26-15-11		26-15-11	49,0	52,2	9806124	250
C	✓			✓	✓	✓	✓		26-22-23				49,7	57,6	9806128	250
C	✓			✓	✓	✓	✓		37-13-29				63,4	65,4	9806323	250
D	✓			✓	✓			✓	10-7,5-7,5	8,5-6-6	10-7,5-7,5		28,7	39,7	9806130	2000
D	✓			✓	✓			✓	13-10-10	11-8,5-8,5	13-10-10	11-8,5-8,5	31,9	43,6	9806131	500
D	✓			✓					37-22-29				73,4	68,4	9806325	300
Innengreifend/Inside gripping																
		✓	✓						10-10-10*					94,0	9806073	100
		✓	✓						10-17-22*					105,0	9806074	100
		✓	✓						17-17-10*					94,0	9806072	100
		✓	✓						17-17-17*					94,0	9806076	100
		✓	✓						22-22-10*					105,0	9806069	100
		✓	✓						22-22-17*					105,0	9806070	100
		✓	✓						22-22-22*					105,0	9806068	250