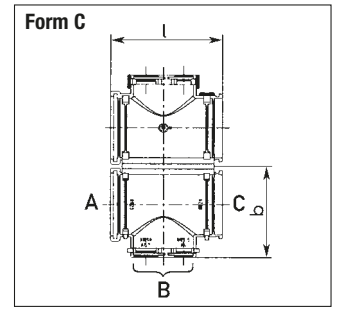
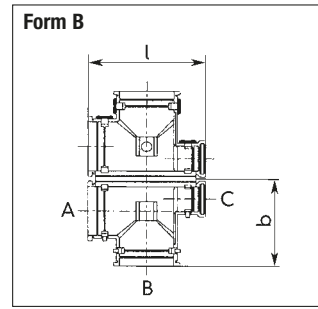
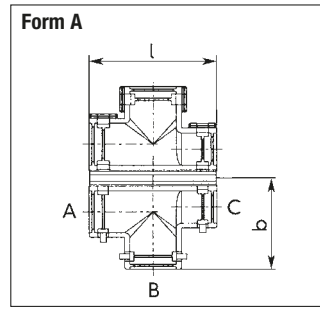


T-Spezialverteiler T-Special Manifolds

HF = High Flex Profil
High Flex Profile



Form	außen- greifend	Bügel- verschluss	Steckfuß- einschub	passend für Well Schlauch-Profil NW (A-B-C) Normal +UFW	AHW	selbst- schließend L-Profil	verschieß- bar V-Profil	b mm	l mm	Art.-Nr.	VE Stck.
Form	outside gripping	Clamp lock	Plug socket slide in	suitable for corrugated tube profile NW (A-B-C) normal +UFW	AHW	self closing L-Profile	lockable V-Profile	b mm	l mm	Art. no.	PU pcs.
A	✓	✓	✓	10-4,5-4,5	8,5-4,5-4,5	10-4,5-4,5				9806302	500
A	✓	✓			23HF-13-23HF			51,0	49,6	9810550	250
A	✓	✓			23HF-13-23HF			51,0	47,6	9810551	250
A	✓	✓		26-29-26				48,5	60,0	9806304	500
B	✓	✓		13-8,5-10	11-8,5-8,5	13-8,5-10	11-8,5-8,5			9806191	500
B	✓	✓		10-10-10	8,5-8,5-8,5	10-10-10	8,5-8,5-8,5			9806190	500
B	✓	✓		17-10-17	15-8,5-15	17-10-17	15-8,5-15			9806192	500
B	✓	✓		17-13-13	15-11-11	17-13-13	15-11-11	36,5	46,7	9806193	500
B	✓	✓		29-26-29				53,5	59,6	9806154	500
C	✓	✓		29-10/7,5-29						9806300	500

2.3