

Übersicht Verteiler/Overview Manifolds

Außengreifende Verteiler/outside gripping Manifolds

A-Verteiler/A-Manifold

Bügelverschluss / clamp-lock

Form A



Bügelverschluss / clamp-lock

Form B



T-Verteiler/T-Manifold

Schnappverschluss / snap-lock

Form A



Bügelverschluss / clamp-lock

Form C



Bügelverschluss / clamp-lock

Form B



Bügelverschluss / clamp-lock

Form D



V-Verteiler/V-Manifold

Schnappverschluss / snap-lock

Form A



Bügelverschluss / clamp-lock

Form B



Y-Verteiler/Y-Manifold

Schnappverschluss / snap-lock

Form A



Bügelverschluss / clamp-lock

Form C



Schnappverschluss / snap-lock

Form B



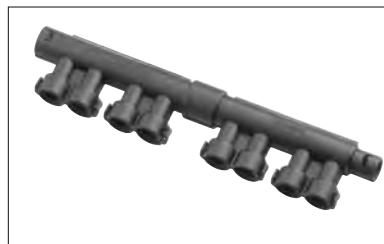
Bügelverschluss / clamp-lock

Form D



M-Verteiler/M-Manifold

Bügelverschluss / clamp-lock



Übersicht Verteiler/Overview Manifolds

Innengreifende Verteiler/Inside gripping Manifolds

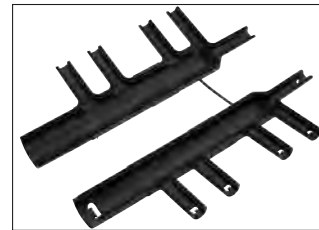
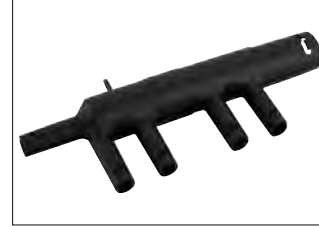
Nur für ungeschlitzte Welschläuche verwendbar / Only applicable with unslit corrugated tubes

T-Verteiler/T-Manifold

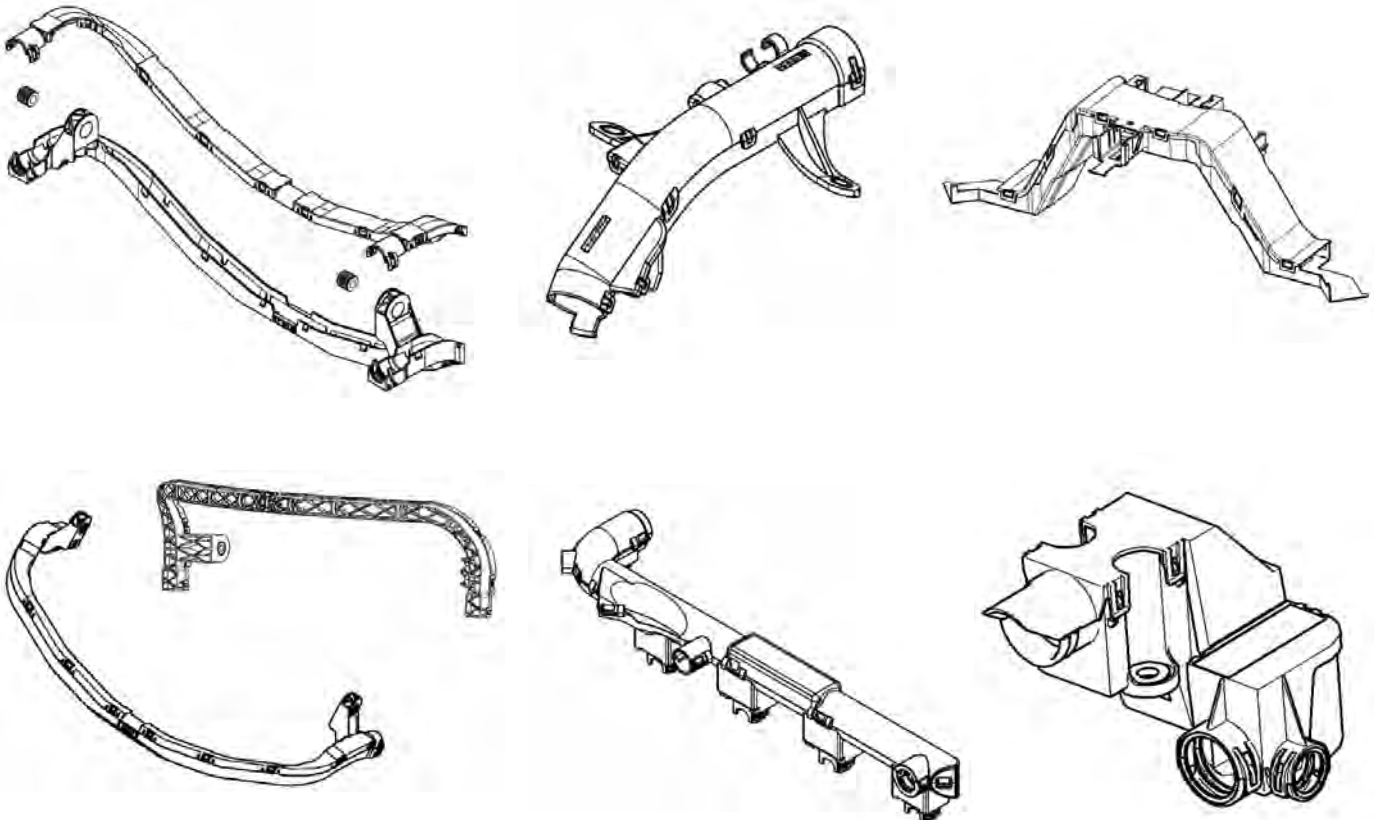
mit Schnappverschluss/with snap-lock



M-Verteiler/M-Manifold



Kundenspezifische Kabelkanäle/Customized Cable Ducts



2.3

A-Verteiler

A-Manifolds

RoHS

Material:
Polyamid 66
Polyamid 46 auf Anfrage

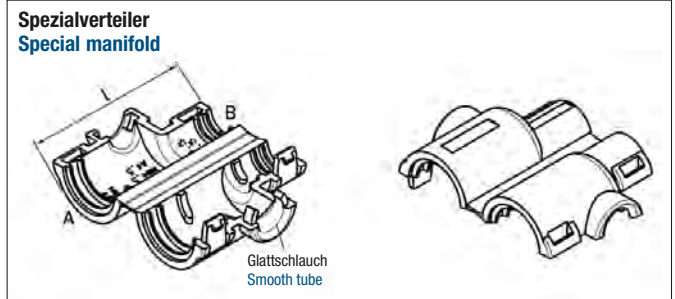
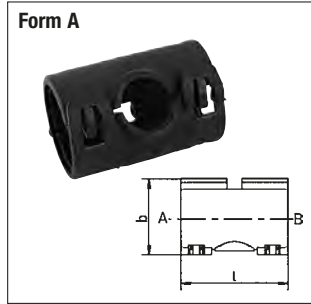
Temperaturbereich:
-40°C bis 135°C
500 h: -40°C bis 150°C

Farbe(n)/Ausführungen:
• Schwarz

Material:
Polyamide 66
Polyamide 46 on request

Temperature range:
-40°C to 135°C
500 h: -40°C to 150°C

Colour(s)/Designs:
• Black



Form	außen-greifend	Bügel-verschluss	Well-schlauch-anschlag innen	passend für Well-schlauch-Profil NW (A-B) Normal +UFW	AHW	selbst-schließend L-Profil	verschießbar V-Profil	b mm	l mm	Art.-Nr.	VE Stck.
Form	outside gripping	Clamp lock	stop ridge for corrugated tube inside	suitable for corrugated tube profile NW (A-B) normal +UFW	AHW	self closing L-Profile	lockable V-Profile	b mm	l mm	Art. no.	PU pcs.
A	✓	✓	✓	4,5	4,5	4,5		14,4	26,0	9810045	2000
A	✓	✓	✓	7,5	6	7,5		17,2	26,0	9810075	1000
A	✓	✓	✓	10	8,5	10	8,5	20,2	27,9	9810100	1000
A	✓	✓	✓	13	11	13	11	23,1	29,5	9810130	1000
A	✓	✓	✓	17	15		15	28,4	29,5	9810170	1000
A	✓	✓	✓	22	19		19	32,9	29,5	9810220	1500
A	✓	✓	✓	26	26		26	38,8	29,5	9810260	500
B	✓	✓		7,5 - 4,5	6 - 4,5	7,5 - 4,5		17,2	28,0	9810375	1000
B	✓	✓		10 - 7,5	8,5 - 6	10 - 7,5		20,2	32,0	9810400	1000
B	✓	✓		13 - 10	11 - 8,5	13 - 10	11 - 8,5	23,1	35,5	9810430	1000
B	✓	✓		17 - 13	15 - 11		15 - 11	28,4	39,5	9810470	1000
B	✓	✓		22 - 17	19 - 15		19 - 15	32,9	39,5	9810520	500
B	✓	✓		26 - 22	26 - 19		26 - 19	38,8	39,5	9810560	500
Spezial Special	✓	✓	✓	10 - 4,5		10 - 4,5			32,0	9810110	1000

2.3

T-Verteiler

T-Manifolds

RoHS

Material:
Polyamid 66
Polyamid 46 auf Anfrage

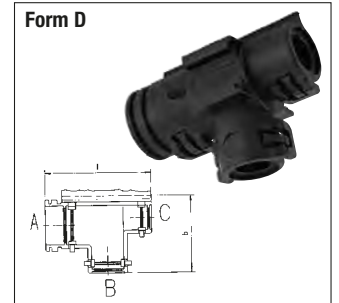
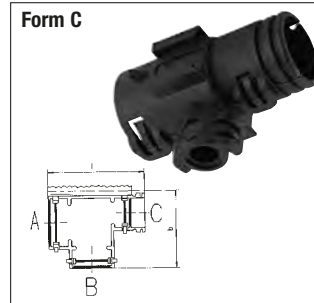
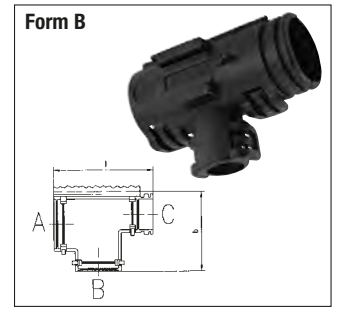
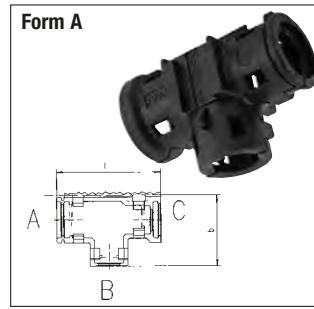
Temperaturbereich:
-40°C bis 135°C
500 h: -40°C bis 150°C

Farbe(n)/Ausführungen:
• Schwarz

Material:
Polyamide 66
Polyamide 46 on request

Temperature range:
-40°C to 135°C
500 h: -40°C to 150°C

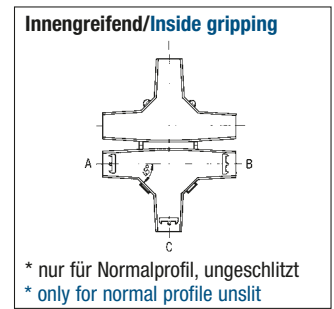
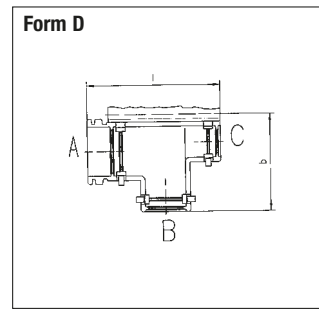
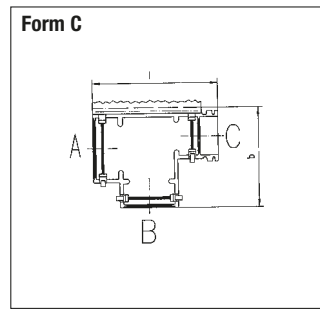
Colour(s)/Designs:
• Black



Form	außen- greifend	Schnapp- verschluss	Bügel- verschluss	Steck- fuß- einschub	Außen- einhänge- kontur an Abgang C	passend für Wellenschlauch-Profil NW (A-B-C) Normal +UFW	AHW	selbst- schließend L-Profil	verschluss- bar V-Profil	b mm	l mm	Art.-Nr.	VE Stck.
Form	outside gripping	Snap lock	Clamp lock	Plug socket slide in	exterior hook-up on branch C	suitable for corrugated tube profile NW (A-B-C) normal +UFW	AHW	self closing L-Profile	lockable V-Profile	b mm	l mm	Art. no.	PU pcs.
A	✓	✓		✓		7,5-7,5-7,5	6-6-6	7,5-7,5-7,5		24,7	33,4	9806082	500
A	✓	✓		✓		8,5-8,5-10		8,5-8,5-10		27,2	37,6	9806088	500
A	✓	✓		✓		10-7,5-7,5	8,5-6-6	10-7,5-7,5		24,7	36,0	9806087	1000
A	✓	✓		✓		10-8,5-10		10-8,5-10		26,9	37,5	9806086	500
A	✓	✓		✓		10-10-7,5	8,5-8,5-6	10-10-7,5		26,8	38,5	9806097	500
A	✓	✓		✓		10-10-10	8,5-8,5-8,5	10-10-10	8,5-8,5-8,5	26,7	39,2	9806089	500
A	✓	✓		✓		13-7,5-13	11-6-11	13-7,5-13		30,9	35,8	9806092	500
A	✓	✓		✓		13-10-10	11-8,5-8,5	13-10-10	11-8,5-8,5	29,1	38,9	9806091	500
A	✓	✓		✓		13-13-7,5	11-11-6	13-13-7,5		30,3	41,5	9806093	500
A	✓	✓		✓		17-7,5-17	15-6-15	17-7,5-17		34,6	37,5	9806095	500
A	✓	✓		✓		17-10-17	15-8,5-15	17-10-17	15-8,5-15	35,8	40,5	9806094	500
A	✓	✓		✓		17-13-13	15-11-11	17-13-13	15-11-11	34,6	43,2	9806096	500
A	✓	✓		✓		17-17-7,5	15-15-6	17-17-7,5		39,5	48,9	9806099	250
A	✓		✓			29-22-29				57,3	60,0	9806320	400
A	✓		✓			37-13-37				70,5	65,4	9806322	400
A	✓		✓			37-17-37				75,5	67,4	9806321	300
A	✓		✓			37-26-37				86,0	67,4	9806324	300
B	✓		✓	✓		4,5-4,5-4,5	4,5-4,5-4,5	4,5-4,5-4,5		24,1	30,0	9806162	500
B	✓		✓	✓	✓	7,5-4,5-7,5	6-4,5-6	7,5-4,5-7,5		25,7	36,6	9806081	500
B	✓		✓	✓	✓	7,5-7,5-4,5	6-6-4,5	7,5-7,5-4,5		25,7	33,2	9806168	500
B	✓		✓	✓	✓	7,5-7,5-7,5	6-6-6	7,5-7,5-7,5		26,1	39,2	9806083	500
B	✓		✓	✓	✓	7,5-10-7,5	6-8,5-6	7,5-10-7,5		26,1	42,4	9806180	250
B	✓		✓	✓	✓	8,5-8,5-8,5		8,5-8,5-8,5		29,0	43,4	9806133	500
B	✓		✓	✓	✓	8,5-8,5-10		8,5-8,5-10		28,5	41,1	9806079	500
B	✓		✓	✓	✓	10-4,5-7,5	8,5-4,5-6	10-4,5-7,5		33,7	50,8	9806197	500
B	✓		✓	✓	✓	10-4,5-10	8,5-4,5-8,5	10-4,5-10		28,7	36,6	9806105	500
B	✓		✓	✓	✓	10-7,5-4,5	8,5-6-4,5	10-7,5-4,5		33,7	44,0	9806170	500
B	✓		✓	✓	✓	10-7,5-10	8,5-6-8,5	10-7,5-10		28,7	39,4	9806111	500

Form	außen- greifend	Bügel- verschluss	Steck- fuß- einschub	Außen- ein- hänge- kontur an Abgang C	Glatt	passend für Wellschlauch-Profil NW (A-B-C)				b	l	Art.-Nr.	VE
Form	outside gripping	Clamp lock	Plug socket slide in	exterior hook-up on branch C	smooth	Normal +UFW	AHW	selbst- schlie- ßend L-Profil	verschie- bar V-Profil	mm	mm	Art. no.	PU pcs.
						suitable for corrugated tube normal +UFW	AHW	self closing L-Profile	lockable V-Profile	mm	mm	Art. no.	PU pcs.
B	✓	✓	✓			10-10-4,5	8,5-8,5-4,5	10-10-4,5		33,7	44,6	9806169	500
B	✓	✓	✓	✓		10-10-7,5	8,5-8,5-6	10-10-7,5		28,7	42,4	9806160	500
B	✓	✓	✓	✓		10-10-10	8,5-8,5-8,5	10-10-10	8,5-8,5-8,5	28,8	42,4	9806138	500
B	✓	✓	✓	✓		13- 4,5-13	11-4,5-11	13-4,5-13		53,0	36,6	9806307	500
B	✓	✓	✓	✓		13-7,5-13	11-6-11	13-7,5-13		31,7	40,1	9806158	500
B	✓	✓	✓	✓		13-8,5-10		13-8,5-10			52,3	9806175	500
B	✓	✓	✓			13-10-4,5	11-8,5-4,5	13-10-4,5		46,1	36,6	9806171	500
B	✓	✓	✓	✓		13-10-7,5	11-8,5-6	13-10-7,5	11-8,5-6	36,6	52,3	9806172	500
B	✓	✓	✓	✓		13-10-13	11-8,5-11	13-10-13	11-8,5-11	31,6	43,6	9806101	500
B	✓	✓	✓	✓		13-13-7,5	11-11-6	13-13-7,5		31,6	45,3	9806159	500
B	✓	✓	✓	✓		13-13-10	11-11-8,5	13-13-10	11-11-8,5	31,6	45,3	9806104	500
B	✓	✓	✓	✓		17-4,5-17	15-4,5-15	17-4,5-17		37,0	40,8	9806161	500
B	✓	✓	✓	✓		17- 7,5-13	15-6-11	17-7,5-13		36,9	41,0	9806100	500
B	✓	✓	✓	✓		17-7,5-17	15-6-15	17-7,5-17		37,0	40,8	9806137	500
B	✓	✓	✓	✓		17-10-13	15-8,5-11	17-10-13	15-8,5-11	36,9	43,6	9806107	500
B	✓	✓	✓	✓		17-10-17	15-8,5-15	17-10-17	15-8,5-15	37,0	43,8	9806136	500
B	✓	✓	✓	✓		17-13-13	15-11-11	17-13-13	15-11-11	36,9	46,0	9806166	500
B	✓	✓	✓	✓		17-13-17	15-11-15	17-13-17	15-11-15	36,3	50,1	9806141	250
B	✓	✓	✓	✓		17-17-7,5	15-15-6	17-17-7,5		36,9	50,6	9806167	500
B	✓	✓	✓	✓		17-22-17	15-19-15		15-19-15	39,3	59,9	9806135	250
B	✓	✓	✓	✓		22-4,5-22	19-4,5-19			37,0	41,4	9806106	500
B	✓	✓	✓	✓		22-7,5-22	19-6-19			41,4	39,5	9806113	500
B	✓	✓	✓	✓		22-8,5-22				47,0	66,4	9806149	500
B	✓	✓	✓	✓		22-10-10	19-8,5-8,5		19-8,5-8,5	47,0	66,3	9806143	500
B	✓	✓	✓	✓		22-10-17	19-8,5-15		19-8,5-15	47,0	67,7	9806179	500
B	✓	✓	✓	✓		22-10-22	19-8,5-19		19-8,5-19	41,5	42,5	9806121	500
B	✓	✓	✓	✓	✓	22-10-22	19-8,5-19		19-8,5-19	66,4	47,0	9806164	100
B	✓	✓	✓	✓		22-13-17	19-11-15		19-11-15	41,4	46,7	9806114	250
B	✓	✓	✓	✓		22-13-22	19-11-19		19-11-19	41,4	46,4	9806108	500
B	✓	✓	✓	✓		22-17-13	19-15-11		19-15-11	41,9	51,3	9806103	500
B	✓	✓	✓	✓		22-22-10	19-19-8,5		19-19-8,5			9806178	250
B	✓	✓	✓	✓		22-22-13	19-19-11		19-19-11	43,8	58,5	9806142	250
B	✓	✓	✓	✓		22-22-22	19-19-19		19-19-19	42,4	56,2	9806102	250
B	✓	✓	✓	✓	✓	22-22-22	19-19-19		19-19-19	66,4	47,0	9806165	500
B	✓	✓	✓	✓		22-26-17	19-26-15		19-26-15	42,5	57,0	9806184	250
B	✓	✓	✓	✓		22-29-26				48,5	60,0	9806182	250
B	✓	✓	✓	✓		26-4,5-22	26-4,5-19			53,0	72,3	9806153	100
B	✓	✓	✓	✓		26-4,5-26	26-4,5-26			53,0	73,0	9806144	500
B	✓	✓	✓	✓		26-7,5-22	26-6-19			53,0	72,3	9806156	500
B	✓	✓	✓	✓		26-7,5-26	26-6-26			53,0	73,0	9806177	500
B	✓	✓	✓	✓		26-8,5-26				53,0	73,0	9806145	500
B	✓	✓	✓	✓		26-10-26	26-8,5-26		26-8,5-26	47,6	45,1	9806129	500
B	✓	✓	✓	✓		26-13-13	26-11-11		26-11-11	53,0	72,9	9806140	500
B	✓	✓	✓	✓		26-13-22	26-11-19		26-11-19	53,0	72,3	9806148	500
B	✓	✓	✓	✓		26-13-26	26-11-26		26-11-26	53,0	73,0	9806147	500
B	✓	✓	✓	✓		26-17-17	26-15-15		26-15-15	49,0	52,5	9806109	250
B	✓	✓	✓	✓		26-17-22	26-15-19		26-15-19	47,3	50,7	9806119	500
B	✓	✓	✓	✓		26-17-26	26-15-26		26-15-26	53,0	73,0	9806146	500
B	✓	✓	✓	✓		26-22-22	26-19-19		26-19-19	47,3	55,2	9806112	250
B	✓	✓	✓	✓		26-26-10	26-26-8,5		26-26-8,5	53,0	72,2	9806174	250
B	✓	✓	✓	✓		26-26-13	26-26-11		26-26-11	53,0	72,9	9806134	500
B	✓	✓	✓	✓		26-26-22	26-26-19		26-26-19	47,4	61,2	9806110	250
B	✓	✓	✓	✓		26-26-26	26-26-26		26-26-26	53,0	73,0	9806157	500
B	✓	✓	✓	✓		29-13-29				51,5	41,5	9806183	250
B	✓	✓	✓	✓		29-17-26				51,4	46,4	9806181	250
B	✓	✓	✓	✓		29-17-29				53,5	59,6	9806301	500
B	✓	✓	✓	✓		37-13-26				50,2	57,9	9806205	100
B	✓	✓	✓	✓		50-26-50				69,5	82,0	9806204	100
B	✓	✓	✓	✓		50-37-26				80,8	78,8	9806209	125
B	✓	✓	✓	✓		50-37-50				96,0	78,9	9806208	50

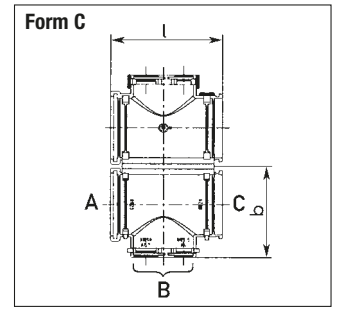
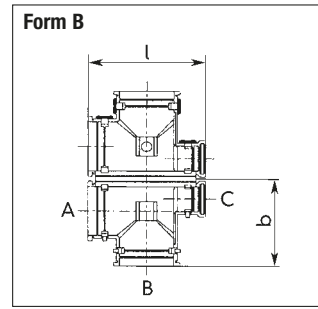
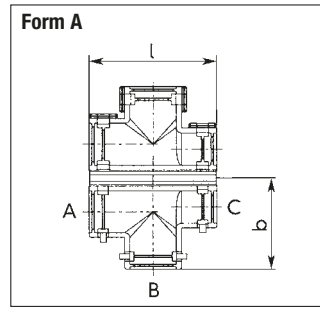
T-Verteiler
T-Manifolds



Form	außen- greifend	innen- greifend	Schnapp- verschluss	Bügel- verschluss	Steck- fuß- ein- schub	Außen- einhäng- kontur an Abgang C	Well- schlauch- anschlag innen	Außen- einhäng- kontur an Abgang A	passend für Wellenschlauch-Profil NW (A-B-C)				b	l	Art.-Nr.	VE	
Form	outside gripping	inside gripping	Snap lock	Clamp lock	Plug socket slide in	exterior hook-up on branch C	stop ridge for corruga- ted tube inside	exterior hook-up on branch A	Normal +UFW	AHW	selbst- schlieBend L-Profil	verschieB- bar V-Profil	b mm	l mm	Art. no.	PU pcs.	
									suitable for corrugated tube profile NW (A-B-C)								
									normal +UFW	AHW	self closing L-Profil	lockable V-Profil					
C	✓			✓	✓	✓	✓		7,5-4,5-4,5	6-4,5-4,5	7,5-4,5-4,5		24,7	37,7	9806125	1000	
C	✓			✓	✓	✓	✓		10-8,5-8,5		10-8,5-8,5		29,1	36,0	9806188	500	
C	✓			✓	✓	✓	✓		10-8,5-10		10-8,5-10		29,1	42,2	9806189	500	
C	✓			✓	✓	✓	✓		10-10-8,5		10-10-8,5		29,1	37,0	9806185	500	
C	✓			✓	✓	✓	✓		10-13-10	8,5-11-8,5	10-13-10	8,5-11-8,5	29,1	46,2	9806186	500	
C	✓			✓	✓	✓	✓		13-4,5-10	11-4,5-8,5	13-4,5-10		30,6	39,5	9806127	500	
C	✓			✓	✓	✓	✓		13-8,5-13		13-8,5-13		31,6	42,4	9806118	1400	
C	✓			✓	✓	✓	✓		13-13-13	11-11-11	13-13-13	11-11-11	31,9	46,6	9806115	500	
C	✓			✓	✓	✓	✓		17-8,5-17				36,9	46,0	9806120	250	
C	✓			✓	✓	✓	✓		17-17-13	15-15-11		15-15-11	37,2	51,9	9806187	500	
C	✓			✓	✓	✓	✓		22-22-17	19-19-15		19-19-15	43,8	60,6	9806126	900	
C	✓			✓	✓	✓	✓		22-23-10				42,2	60,6	9806116	250	
C	✓			✓	✓	✓	✓		22-23-13				42,2	61,3	9806117	250	
C	✓			✓	✓	✓	✓		23-22-22				46,6	58,4	9806122	250	
C	✓			✓	✓	✓	✓		26-17-10	26-15-8,5		26-15-8,5	49,0	51,8	9806123	250	
C	✓			✓	✓	✓	✓		26-17-13	26-15-11		26-15-11	49,0	52,2	9806124	250	
C	✓			✓	✓	✓	✓		26-22-23				49,7	57,6	9806128	250	
C	✓			✓	✓	✓	✓		37-13-29				63,4	65,4	9806323	250	
D	✓			✓	✓			✓	10-7,5-7,5	8,5-6-6	10-7,5-7,5		28,7	39,7	9806130	2000	
D	✓			✓	✓			✓	13-10-10	11-8,5-8,5	13-10-10	11-8,5-8,5	31,9	43,6	9806131	500	
D	✓			✓					37-22-29				73,4	68,4	9806325	300	
Innengreifend/Inside gripping																	
		✓	✓						10-10-10*						94,0	9806073	100
		✓	✓						10-17-22*						105,0	9806074	100
		✓	✓						17-17-10*						94,0	9806072	100
		✓	✓						17-17-17*						94,0	9806076	100
		✓	✓						22-22-10*						105,0	9806069	100
		✓	✓						22-22-17*						105,0	9806070	100
		✓	✓						22-22-22*						105,0	9806068	250

T-Spezialverteiler T-Special Manifolds

HF = High Flex Profil
High Flex Profile



Form	außen- greifend	Bügel- verschluss	Steckfuß- einschub	passend für Well Schlauch-Profil NW (A-B-C) Normal +UFW	AHW	selbst- schließend L-Profil	verschieß- bar V-Profil	b mm	l mm	Art.-Nr.	VE Stck.
Form	outside gripping	Clamp lock	Plug socket slide in	suitable for corrugated tube profile NW (A-B-C) normal +UFW	AHW	self closing L-Profile	lockable V-Profile	b mm	l mm	Art. no.	PU pcs.
A	✓	✓	✓	10-4,5-4,5	8,5-4,5-4,5	10-4,5-4,5				9806302	500
A	✓	✓			23HF-13-23HF			51,0	49,6	9810550	250
A	✓	✓			23HF-13-23HF			51,0	47,6	9810551	250
A	✓	✓		26-29-26				48,5	60,0	9806304	500
B	✓	✓		13-8,5-10	11-8,5-8,5	13-8,5-10	11-8,5-8,5			9806191	500
B	✓	✓		10-10-10	8,5-8,5-8,5	10-10-10	8,5-8,5-8,5			9806190	500
B	✓	✓		17-10-17	15-8,5-15	17-10-17	15-8,5-15			9806192	500
B	✓	✓		17-13-13	15-11-11	17-13-13	15-11-11	36,5	46,7	9806193	500
B	✓	✓		29-26-29				53,5	59,6	9806154	500
C	✓	✓		29-10/7,5-29						9806300	500

2.3

Y-Verteiler

Y-Manifolds

RoHS

Material:
Polyamid 66
Polyamid 46 auf Anfrage

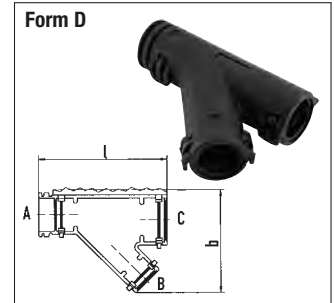
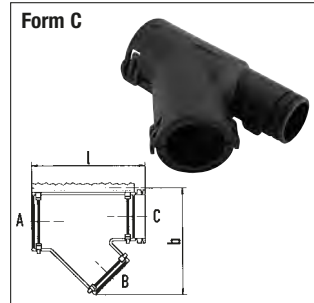
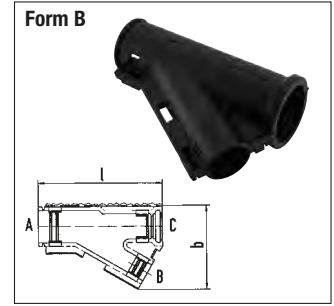
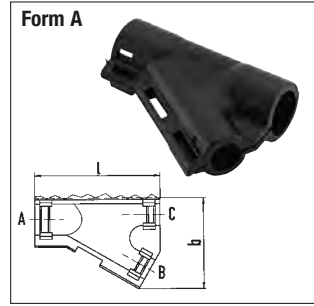
Temperaturbereich:
-40°C bis 135°C
500 h: -40°C bis 150°C

Farbe(n)/Ausführungen:
• Schwarz
• Form „N“ und „O“ nur für Normalprofil geeignet

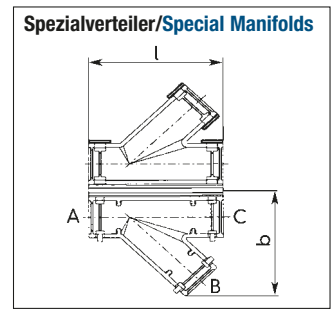
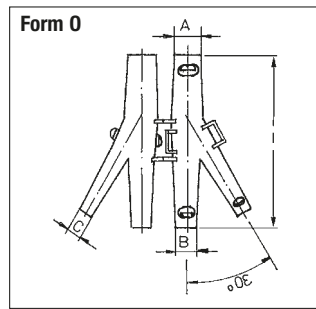
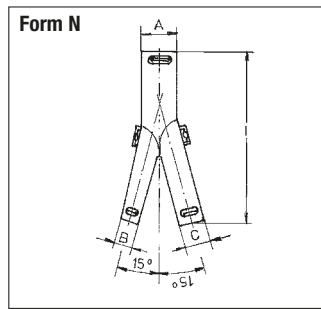
Material:
Polyamide 66
Polyamide 46 on request

Temperature range:
-40°C to 135°C
500 h: -40°C to 150°C

Colour(s)/Designs:
• Black
• Form "N" and "O" only for normal profile



Form	außen- greifend	Schnapp- verschluss	Bügel- verschluss	Steck- fuß- ein- schub	Außen- einhäng- kontur an Abgang C	Well- schlauch- anschlag innen	passend für Wellenschlauch-Profil NW (A-B-C) Normal +UFW	AHW	selbst- schlie- ßend L-Profil	verschieb- bar V-Profil	b mm	l mm	Art.-Nr.	VE Stck.
Form	outside gripping	Snap lock	Clamp lock	Plug socket slide in	exterior hook-up on branch C	stop ridge for corru- gated tube inside	suitable for corrugated tube profile NW (A-B-C) normal +UFW	AHW	self closing L-Profile	lockable V-Profile	b mm	l mm	Art. no.	PU pcs.
A	✓	✓					7,5-4,5-4,5	6-4,5-4,5	7,5-4,5-4,5		30,0	40,0	9817080	1000
A	✓	✓					7,5-4,5-7,5	6-4,5-6	7,5-4,5-7,5		30,0	40,0	9817083	1000
B	✓	✓			✓		17-13-17	15-11-15	17-13-17	15-11-15	58,4	78,8	9817201	500
B	✓	✓			✓		22-10-17	19- 8,5-15		19- 8,5-15	57,1	68,8	9817200	500
B	✓	✓			✓		22-13-17	19-11-15		19-11-15	55,1	60,3	9817203	500
B	✓	✓			✓		22-17-17	19-15-15		19-15-15	58,9	67,9	9817202	500
C	✓		✓	✓			4,5-4,5-4,5	4,5-4,5-4,5	4,5-4,5-4,5		27,8	33,0	9817050	1000
C	✓		✓	✓	✓		13-7,5-10	11-6-8,5	13-7,5-10		39,5	47,3	9817304	500
C	✓		✓	✓	✓		13-10-10	11-8,5-8,5	13-10-10	11-8,5-8,5	45,4	59,9	9817306	500
C	✓		✓	✓	✓		13-10-13	11-8,5-11	13-10-13	11-8,5-11	45,6	59,9	9817305	500
C	✓		✓	✓	✓		13-13-13	11-11-11	13-13-13	11-11-11	46,6	59,9	9817308	500
C	✓		✓	✓	✓		17-13-10	15-11-8,5	17-13-17	15-11-8,5	46,9	59,9	9817310	500
C	✓		✓	✓	✓		17-17-10	15-15-8,5	17-17-10	15-15-8,5	48,8	59,9	9817309	500
C	✓		✓	✓	✓		22-13-22	19-11-19		19-11-19	56,4	63,5	9817311	100
C	✓		✓	✓	✓		22-22-22	19-19-19		19-19-19	64,7	76,7	9817302	250
C	✓		✓	✓	✓		26-22-22	26-19-19		26-19-19	64,7	69,4	9817300	500
C	✓		✓	✓			29-29-22	29-29-19			95,0	79,6	9817243	200
C	✓		✓	✓			37-29-22				102,0	88,6	9817244	200
C	✓		✓	✓			37-37-22				113,0	98,5	9817241	150
ähnlich Form C/similar to Form C														
	✓		✓	✓			8,5-8,5-8,5		8,5-8,5-8,5		38,9	45,0	9817040	500
	✓		✓	✓		✓	10-8,5-8,5		10-8,5-8,5		39,4	45,0	9817041	500
	✓		✓	✓	✓		10-8,5-10		10-8,5-10		40,0	51,2	9817030	500
	✓		✓	✓		✓	13-8,5-8,5		13-8,5-8,5		37,9	40,0	9817037	500
	✓		✓	✓	✓		13-8,5-10		13-8,5-10		40,1	49,2	9817031	500
	✓		✓	✓	✓		13-8,5-13		13-8,5-13		43,0	51,9	9817032	500
	✓		✓	✓	✓	✓	17-8,5-13		17-8,5-13		43,3	47,9	9817039	500
	✓		✓	✓	✓		17-10-10	15-8,5-8,5	17-10-10	15-8,5-8,5	41,9	46,2	9817033	500
	✓		✓	✓	✓	✓	17-10-17	15-8,5-15	17-10-17	15-8,5-15	49,7	55,6	9817038	500
	✓		✓	✓	✓		17-10-13	15-8,5-11	17-10-13	15-8,5-11	44,0	48,9	9817035	500
	✓		✓	✓	✓	✓	17-13-13	15-11-11	17-13-13	15-11-11	46,2	52,9	9817036	500
	✓		✓	✓	✓	✓	22-10-22	19-8,5-19		19-8,5-19	54,2	54,3	9817034	100
D	✓		✓		✓		10-10-10	8,5-8,5-8,5	10-10-10	8,5-8,5-8,5	43,0	54,4	9817303	500
D	✓		✓				26-10-26	26-8,5-26			62,0	60,8	9817242	300
D	✓		✓				29-22-26	29-19-26			75,0	72,7	9817240	500
D	✓		✓				29-26-29	29-26-29			95,0	80,5	9817044	300
D	✓		✓				37-22-37				93,0	86,5	9817247	200



2.3

Form	außen- greifend	innen- greifend	Steckfuß- einschub	passend für Wellschlauch-Profil NW (A-B-C) Normal + UFW		selbst- schließend L-Profil	verschieß- bar V-Profil	b mm	l mm	Art.-Nr.	VE Stck.
Form	outside gripping	inside gripping	Plug socket slide in	normal + UFW	AHW	self closing L-Profile	lockable V-Profile	b mm	l mm	Art. no.	PU pcs.
N		✓		8,5-8,5-8,5					66,0	9817085	100
N		✓		10-8,5-8,5					66,0	9817107	1000
N		✓		13-10-10					72,3	9805575	500
N		✓		13-13-10					76,0	9805583	100
N		✓		17-10-10					67,0	9805559	100
N		✓		17-13-10					83,0	9805567	100
N		✓		17-13-13					83,0	9805540	100
N		✓		17-17-10					85,0	9806059	100
N		✓		22-22-8,5					95,0	9817220	100
N		✓		22-22-10					95,0	9806032	100
N		✓		22-22-13					100,0	9806016	100
N		✓		22-22-17					100,0	9806040	100
N		✓		22-22-22					105,0	9817212	100
N		✓		26-22-22					105,0	9806045	100
N		✓		29-22-22					110,0	9817352	100
N		✓		29-22-22					110,0	9806024	100
O		✓		10-10-10					64,0	9805524	100
O		✓		13-10-8,5					69,0	9817131	100
O		✓		13-13-8,5					85,0	9817336	100
O		✓		17-10-8,5					85,0	9817158	100
O		✓		17-10-17					85,0	9817159	100
O		✓		17-17-8,5					85,0	9817174	100
O		✓		17-17-13					85,0	9817190	100
O		✓		22-17-13					85,0	9805532	100
O		✓		22-17-17					105,0	9817344	100
O		✓		26-17-22					105,0	9817396	250
O		✓		26-22-17					105,0	9817395	100
O		✓		26-22-17					105,0	9817301	100
O		✓		26-26-8,5					105,0	9817360	100
O		✓		26-26-8,5					105,0	9817263	100
O		✓		26-26-10					105,0	9817379	100
O		✓		26-26-10					105,0	9817280	100
O		✓		26-26-17					105,0	9817387	100
O		✓		26-26-17					105,0	9817328	100
O		✓		29-29-17					109,0	9806026	100
O		✓		29-29-22					109,0	9806025	100
Spezialverteiler/Special Manifolds											
	✓			13-13-17	11-11-15	13-13-17	11-11-15	50,8	55,0	9817312	100
	✓		✓	26-26-17	26-26-15		26-26-15	70,0	81,8	9817250	100
	✓			26-26-26	26-26-26		26-26-26	71,0	75,0	9817060	100

M-Verteiler

M-Manifolds

RoHS

Material:
Polyamid 66
Polyamid 46 auf Anfrage

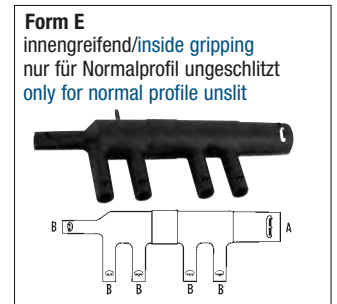
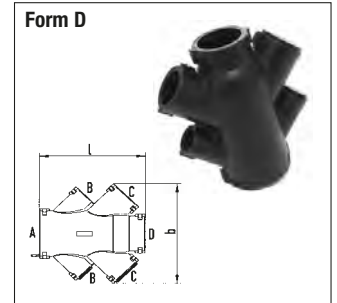
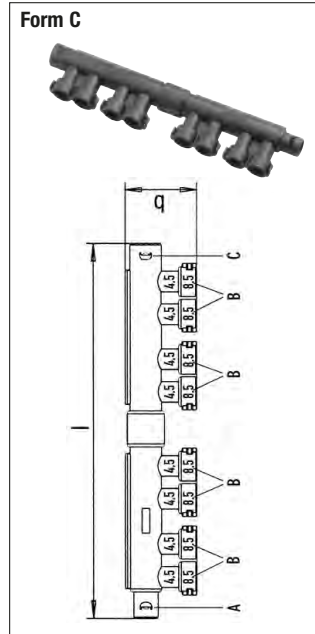
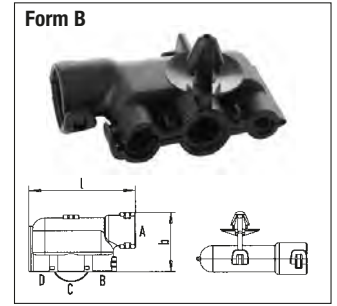
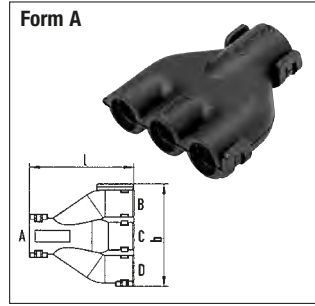
Temperaturbereich:
-40°C bis 135°C
500 h: -40°C bis 150°C

Farbe(n)/Ausführungen:
• Schwarz

Material:
Polyamide 66
Polyamide 46 on request

Temperature range:
-40°C to 135°C
500 h: -40°C to 150°C

Colour(s)/Designs:
• Black

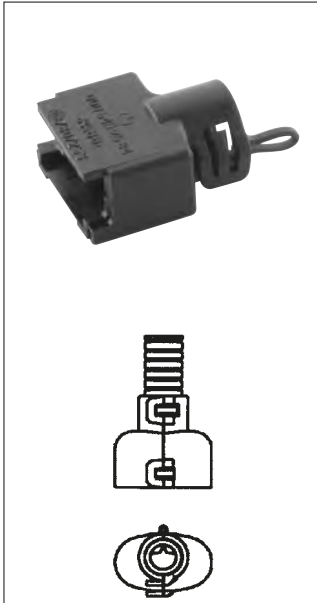


Form	außen-greifend	innen-greifend	Bügel-verschluss	Spreiz-anker	passend für Well Schlauch-Profil NW (A-B-C-D) Normal +UFW	AHW	selbst-schließend L-Profil	verschieß-bar V-Profil	b mm	l mm	Art.-Nr.	VE Stck.
Form	outside gripping	inside gripping	Clamp lock	Spread anchor	suitable for corrugated tube profile NW normal +UFW	AHW	self closing L-Profile	lockable V-Profile	b mm	l mm	Art. no.	PU pcs.
A	✓		✓		7,5-4,5-4,5-4,5	6-4,5-4,5-4,5	7,5-4,5-4,5-4,5		36,5	36,0	9817090	500
A	✓		✓		10-4,5-7,5-4,5	8,5-4,5-6-4,5	10-4,5-7,5-4,5			45,4	9817092	250
A	✓		✓		10-7,5-7,5-4,5	8,5-6-6-4,5	10-7,5-7,5-4,5			45,4	9817091	500
A	✓		✓		26-17-17-17	29-15-15-15			88,5	90,4	9817550	250
B	✓		✓	✓	10-4,5-7,5-3	8,5-4,5-6-3			31,6	52,5	9817502	500
C	B	A+C	✓		13-8x8,5(4,5)-17				38,5	185,5	9817095	250
D	✓		✓		17-13-13-10-10	15-11-11-8,5-8,5			90,3	97,5	9811220	500
D	✓		✓		29-2x10-2x17-22				82,7	81,5	9817500	250
D	✓		✓		17-17-8,5-13-8,5				51,0	57,9	9811223	1500
E		✓	✓		22-5x10						9806067	50

Übersicht Schutzkappen / Overview Connector Interfaces

Form A

Gerade
Straight



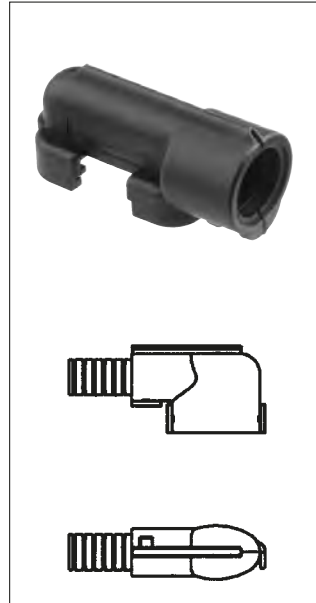
Form B

Quer
Cross



Form C

Längs
Lengthwise



Form D

Drehbar
Turnable



2.3

Bezeichnung Steckerhersteller / Name of Plug Manufacturer

AMP	AMP/Tyco	FEP	Fahrzeugelektrik Pirna	RNH	Reinshagen
CINCH	CINCH	GHW	Grote & Hartmann/Lear	SA	Schlemmer
DELPHI	DELPHI	HM	Hirschmann	SIEMENS	SIEMENS
DEUTSCH	DEUTSCH	KBR	KBR	SUM	SUMITOMO
EPC	EPC	LK	Kostal	Tyco	Tyco/AMP
FCI	Framatome	RB	Robert Bosch		

Beispiele für die Benennung der Schutzkappen / Examples for name of Connector Interfaces

Steckerhersteller und Pole bzw. Anschluss Plug Manufacturer and poles or Connector	Kontakttyp oder Steckerfamilie Contact-Type or Plug-family	Form Form	passend für Wellenschlauch suitable for corrugated tube	Sonderangaben Special details
GHW2	MKR	A	NW 8,5	SES
FEP 2x5	2,8	B	NW 10	
AMP2	JPT	B	NW 4,5	45

Hauptabmaße / Main dimensions

	EL Ellipsen-Form / Elliptical form	RE Rechteck-Form / Rectangular form
	RD Kreis-Form / Circle form	RR Langloch-Form / Long hole form