



Compact models DC-PNP | Plug-in installation

DC 24 V

Robust stainless steel housing

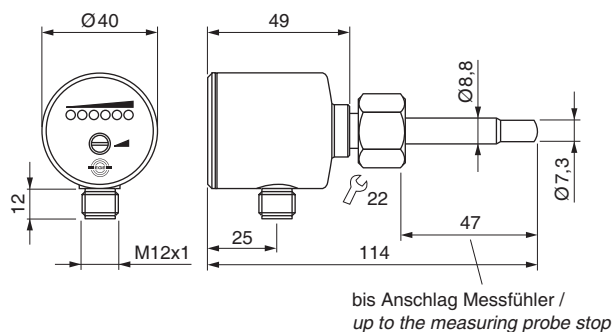
Connection thread M18x1.5

Can be used universally with an adapter



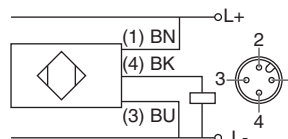
Design **M18x1.5**

Dimensions



Detection range	[cm/s]	water 1...150 / oil 3...300
Output		PNP
Sensor length L	[mm]	47
Thread fixing nut		M18x1.5
ID-No.		P11352
Type		SCS 440-A4-GSP
Supply voltage	[V]	24 DC ±20%
Current consumption	[mA]	< 70
Switching current	[mA]	< 400 (20 °C)
Ambient temperature	[°C]	-20...+80
Medium temperature	[°C]	-20...+80
Temperature gradient	[K/min]	250 (>60 cm/s)
Start-up time typ.	[s]	8 (2...15)
Reaction time typ.	[s]	2 (1...13)
Compressive strength	[bar]	100
Material		housing: AISI 316 L sensor: AISI 316 Ti
O-Ring-Material		FPM
Display flow		LED-array
Protection	[EN 60529]	IP 67
Connection		M12 connector

* US LISTED
E304328



Accessories connecting cable type SLG, SLW (page 1.114), screw-in adapter SDA-SCS-... (page 1.118)