

Introduction



The diameter 1.5 mm and diameter 2.5 mm Connector System offers receptacle and pin housings with capability for waterproofing and resistance to conditions of extreme vibration.

The system is designed for electronic and electrical applications in motor vehicles, where vibrations and mechanical stress, in the long term, can affect the quality on the contacts system.

Features

- High reliability status supported for long term use
- High vibration level supported
- Perfect design to avoid quality problems, reduce manufacturing and service cost
- Integrated secondary locking device delivered in pre-locked position
- Wire-to-Wire sealed and unsealed connectors (SWS)
- Wire-to-Board sealed and unsealed connectors (SWS)
- Polarisation, several keyings
- Locking mechanism for smaller connectors/mating aid for higher numbers of ways

Diameter 2.5 mm Connector Housings according DIN 72585

Technical Features

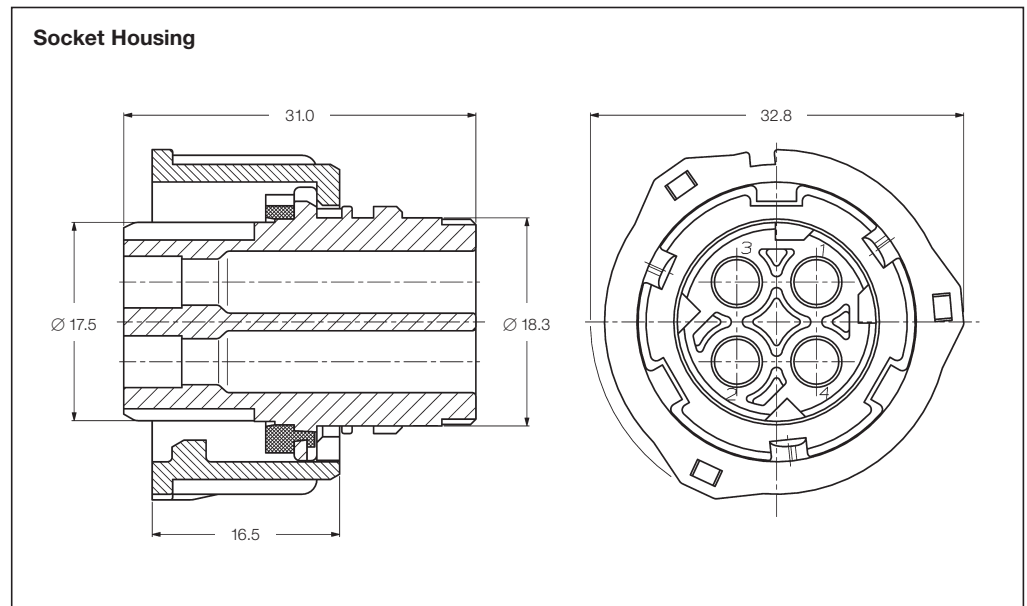
No. of Positions:
2–4 Positions

Housing Material:
PBT GF 30 / PA 46-GF 30

Wire Size Range:
2.5 mm² Max.

Product Specification:
108-18621

Application Specification:
114-18255-0



Socket Housings

No. of Positions	Keying Options	Housing Color	Part Numbers			
			Socket Housing	Cover	Mating Pin Housing	Mating PCB Header Right-Angle Vertical
2			1-967325-3	–	1-967402-3	
3	A	Black	1-967325-2	–	1-967402-2	–
4			1-967325-1	–	1-967402-1	
2			2-967325-3	–	2-967402-3	
3	B	Grey	2-967325-2	–	2-967402-2	–
4			2-967325-1	–	2-967402-1	
2			3-967325-3			
3	C	Green	3-967325-2	–	–	–
4			3-967325-1			
2			4-967325-3			
3	D	Blue	4-967325-2	–	–	–
4			4-967325-1			

Diameter 2.5 mm Connector Housings according DIN 72585

Technical Features

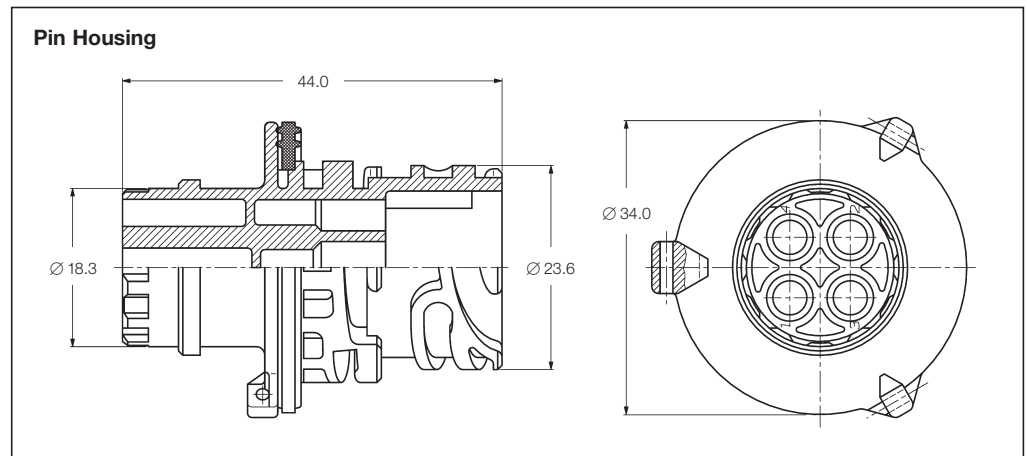
No. of Positions:
2–4 Positions

Housing Material:
PBT GF 20

Wire Size Range:
2.5 mm² Max.

Product Specification:
108-18621

Application Specification:
114-18255-0



Pin Housings

No. of Positions	Keying Options	Housing Color	Part Numbers			
			Pin Housing	Cover	Mating Socket Housing	Mating PCB Header Right-Angle Vertical
					1-967325-3	
2			1-967402-3		1-967325-2	
3	A	Black	1-967402-2	–	1-967325-1	–
4			1-967402-1		6-968968-3	
					6-968968-2	
					6-968968-1	
2			2-967402-3		2-967325-3	
3	B	Grey	2-967402-2	–	2-967325-2	–
4			2-967402-1		2-967325-1	

Technical Features

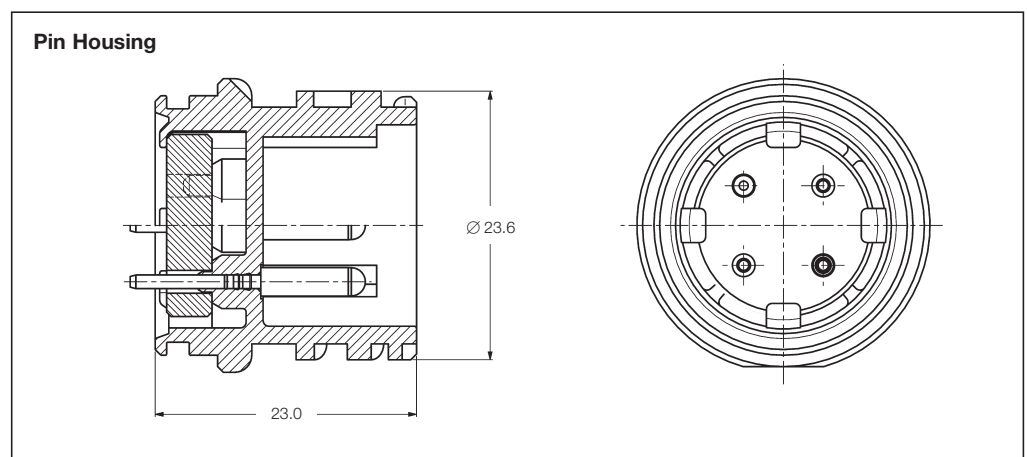
No. of Positions:
4/3 Positions

Housing Material:
PBT GF 20

Wire Size Range:
2.5 mm² Max.

Product Specification:
108-18621

Application Specification:
–



Pin Housings

No. of Positions	Keying Options	Housing Color	Part Numbers			
			Pin Housing	Cover	Mating Socket Housing	Mating PCB Header Right-Angle Vertical
3	–	Black	967538-1	–	1-967325-2	–
4	–	Black	967538-2	–	1-967325-1	–

Diameter 2.5 mm Connector Housings according DIN 72585

Technical Features

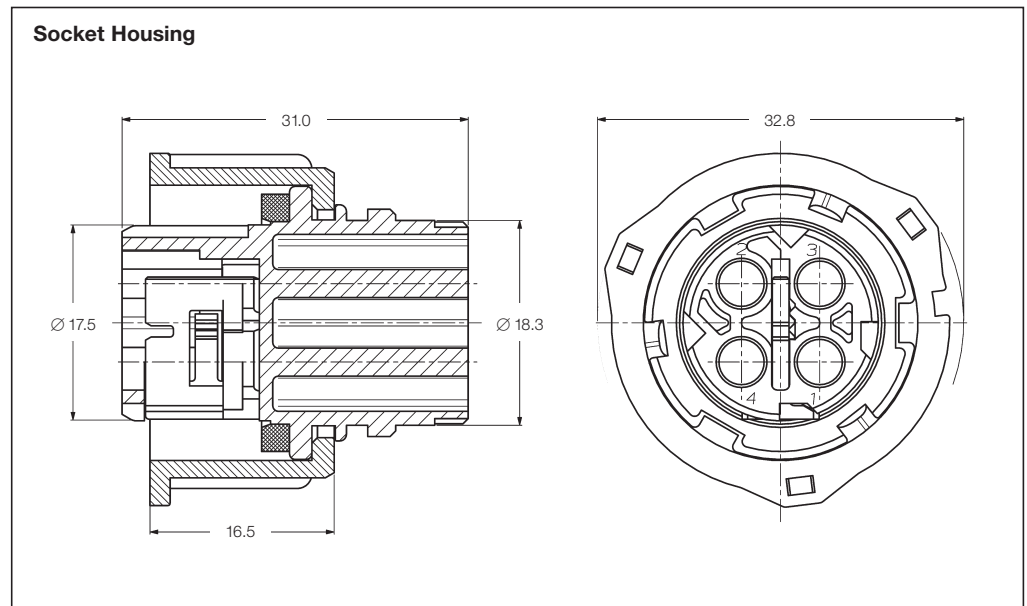
No. of Positions:
2–4 Positions

Housing Material:
PBT GF 30 / PA 46-GF 30

Wire Size Range:
2.5 mm² Max.

Product Specification:
108-18621

Application Specification:
114-18255-0



Socket Housings with Secondary Locking

No. of Positions	Keying Options	Housing Color	Part Numbers			
			Socket Housing	Cover	Mating Pin Housing	Mating PCB Header Right-Angle Vertical
2			6-968968-3	–	1-967402-3	
3	A	Black	6-968968-2	–	1-967402-2	–
4			6-968968-1	–	1-967402-1	

Pin Housings, Solder Type (ISO 15170)

Technical Features

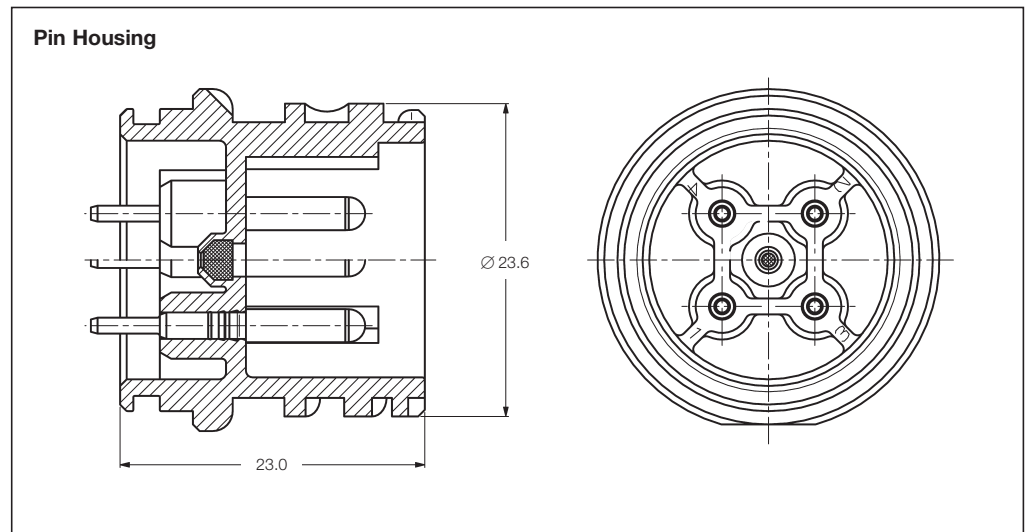
No. of Positions:
2/4 Positions

Housing Material:
PBT GF 20

Material and Finish:
CuZn, tin plated
CuZn, gold plated

Product Specification:
108-18621

Application Specification:
—



Pin Housing

No. of Positions	Keying Options	Housing Color	Part Numbers		
			Right-Angle Pin Housing	Vertical Pin Housing	Mating Socket Housing
2/4	A	Black	—	1394324-1	967325
				1394324-2	968968
				1394324-3	—
3	B	Grey	—	1394324-4	—

Note: All Part Numbers are RoHS and ELV compliant.

Technical Features

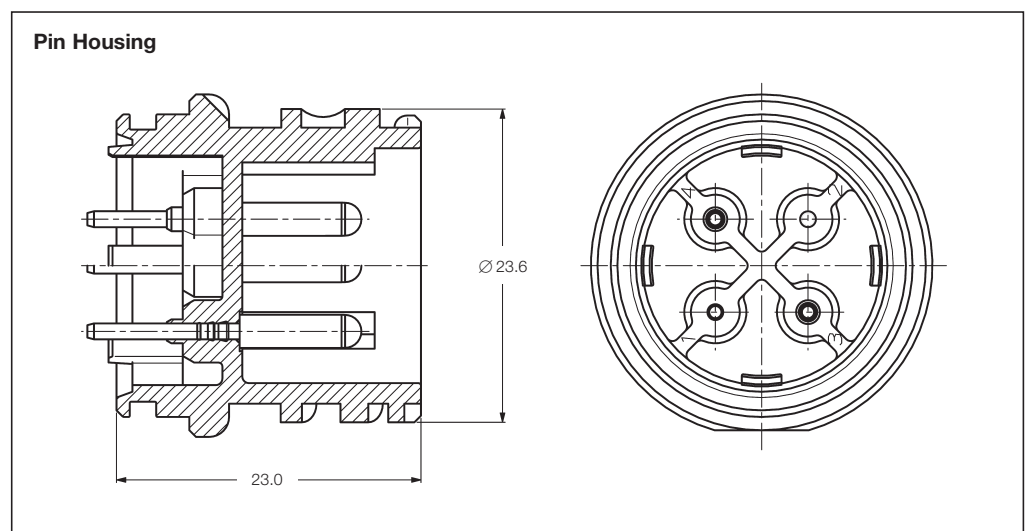
No. of Positions:
4 Positions

Housing Material:
PBT GF 20

Material and Finish:
CuZn, gold plated

Product Specification:
108-18621

Application Specification:
—



Pin Housing

No. of Positions	Keying Options	Housing Color	Part Numbers		
			Right-Angle Pin Housing	Vertical Pin Housing	Mating Socket Housing
4	—	Black	—	1241598-1	967325 or 968968

Note: All Part Numbers are RoHS and ELV compliant.

Diameter 1.5 mm Connector Housings according DIN 72585

Technical Features

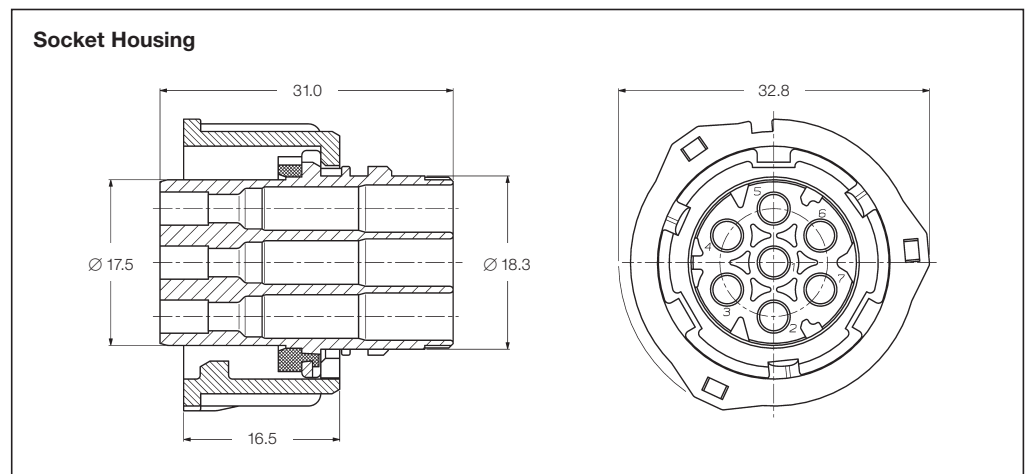
No. of Positions:
5–7 Positions

Housing Material:
PBT GF 30 / PA 46-GF 30

Wire Size Range:
2.5 mm² Max.

Product Specification:
108-18622

Application Specification:
114-18255-0



Socket Housings

No. of Positions	Keying Options	Housing Color	Part Numbers			
			Socket Housing	Cover	Mating Pin Housing	Mating PCB Header Right-Angle Vertical
5	A	Black	967650-3	–	1718230-3	–
6	A	Black	967650-2	–	1718230-2	–
			967650-4	–	–	–
7	A	Black	967650-1	–	1718230-1	–
		Blue	1-967650-1	–	1-1718230-1	–
		Grey	2-967650-1	–	2-1718230-1	–
	C	Green	3-967650-1	–	3-1718230-1	–

Technical Features

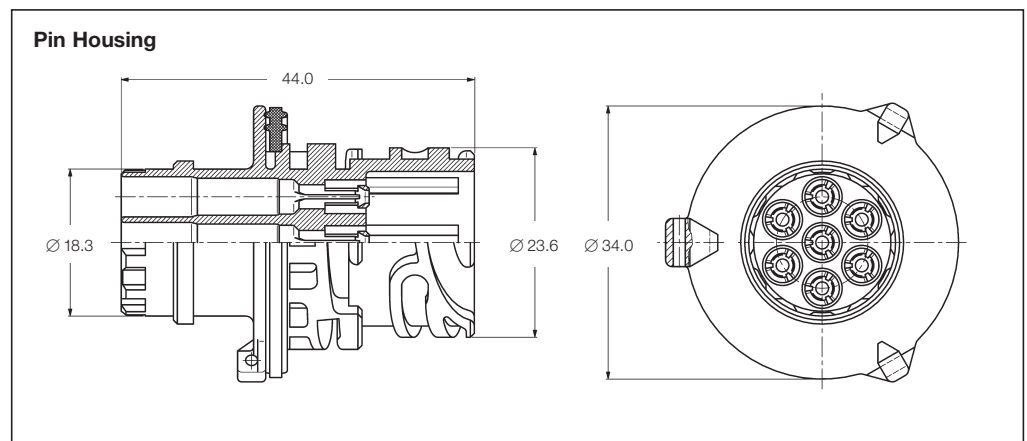
No. of Positions:
5–7 Positions

Housing Material:
PBT GF 20

Wire Size Range:
2.5 mm² Max.

Product Specification:
108-18622

Application Specification:
114-18255-0



Pin Housings

No. of Positions	Keying Options	Housing Color	Part Numbers			
			Pin Housing	Cover	Mating Socket Housing	Mating PCB Header Right-Angle Vertical
5	A	Black	1718230-3	–	967650-3	–
6	A	Black	1718230-2	–	967650-2	–
			1718230-1	–	967650-1	–
7	A	Black	1-1718230-1	–	1-967650-1	–
		Blue	2-1718230-1	–	2-967650-1	–
		Grey	3-1718230-1	–	3-967650-1	–
	C	Green	–	–	–	–