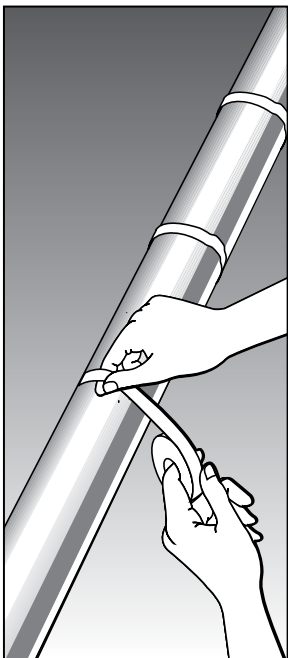




RAYCHEM

INSTALLATION AND MAINTENANCE MANUAL

**SELF-REGULATING
AND POWER LIMITING
HEATING CABLE SYSTEMS**



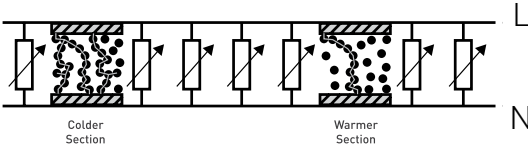
1	General information	Pg. 4
<hr/>		
2	Heating cable selection	Pg. 8
<hr/>		
3	Heating cable installation	Pg. 8
<hr/>		
4	Components installation	Pg. 17
<hr/>		
5	Thermostats	Pg. 22
<hr/>		
6	Thermal insulation and marking	Pg. 23
<hr/>		
7	Power supply and electrical protection	Pg. 25
<hr/>		
8	Heating cable testing	Pg. 25
<hr/>		
9	Operation, maintenance and pipe repairs	Pg. 27
<hr/>		
10	Heating cable damage	Pg. 28
<hr/>		
11	Troubleshooting guide	Pg. 28
<hr/>		

1 GENERAL INFORMATION

Use of the manual

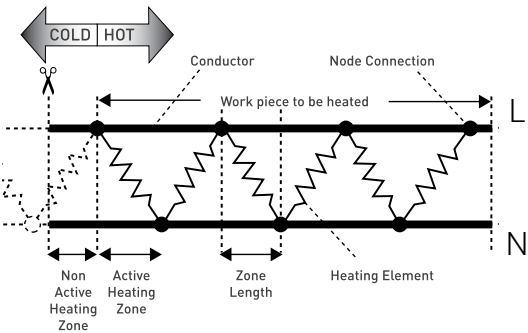
The Installation and Maintenance manual is for nVent RAYCHEM self-regulating and power limiting heating cable systems on thermally insulated pipes and vessels only. For information regarding other applications contact your nVent representative.

BSA, BTV, QTVR, KTV & XTV Self Regulating Heating Cables



- Power output varies with temperature. As pipe temperature increases, power output decreases.
- At high temperatures, the polymer expands, reducing the number of the conductive paths, and thus reducing current flow.
- At low temperatures, there are many conductive paths, allowing current to flow between the conductors.

VPL Power Limiting Heating Cables



Important

For the nVent warranty to apply, the instructions that are included in this manual and product packages must be followed. The installation must be compatible with local requirements applicable to electric heat-tracing systems.

Specific Conditions of Use

The following limiting temperatures for the end seals, splices and power connections shall not be exceeded:

135°C for the S-21 and E-06

110°C for the GHG 960 923 P... cable gland and CCON

The end seals, splices and power connections have the following associated ambient temperatures:

-55°C for the E-06, S-21 and CCON

-50°C for the E-100, E-100-L, E-150, S-150, C-150, JBS-100, JBU-100 and JBM-100

-40°C for the JBS-100-L, T-100, JBM-100-L, and JBU-100-L

-55°C for the GHG 960 923P... cable gland with silicone rubber seals

-60°C for the Type E8XF cable gland

-50°C to +110°C for the C25-100






-50°C to +150°C for the C-150, S-150, and E-150

-50°C to +56°C for the T-100, JBM-100, JBS-100, JBU-100 and E-100

-40°C to +40°C for the JBM-100-L, JBS-100-L, JBU-100-L and E-100-L

The assembly of glands, splices and terminations shall be carried out in accordance with the manufacturer's instructions. The heating element supply circuit must include an electrical protection device in conformity with IEC/EN 60079-30-1.

ATEX

	Certificate No	Code
BTV	Baseefa06ATEX0183X	 II 2 GD Ex e IIC T6 Gb Ex tD A21 IP66 T80°C
QTVR	Baseefa06ATEX0185X	 II 2 GD Ex e IIC T4 Gb Ex tD A21 IP66 T130°C
XTV	Baseefa06ATEX0184X	 II 2 GD Ex e IIC T* Gb Ex tD A21 IP66 T**°C
KTV	Baseefa06ATEX0186X	 II 2 GD Ex e IIC 226°C (T2) Gb Ex tD A21 IP66 T226°C
VPL	Baseefa06ATEX0188X	 II 2GD Ex e II T* Ex tD A21 IP66 T**°C

*see schedule in hazardous area approval.

IECEX

	Certificate No	Code
BTV	IECEX BAS 06.0043X	Ex e IIC T6 Gb Ex e mb IIC T4 Gb Ex td mbd A21 IP66 T80°C
QTVR	IECEX BAS 06.0045X	Ex e IIC T4 Gb Ex e mb IIC T4 Gb Ex td mbd A21 IP66 T130°C
XTV	IECEX BAS 06.0044X	Ex e IIC T* Gb Ex e mb IIC T* Gb Ex td mbd A21 IP66 T**°C
KTV	IECEX BAS06.0046X	Ex e IIC 226°C (T2) Gb Ex e mb IIC 226°C (T2) Gb Ex td mbd A21 IP66 T226°C
VPL	IECEX BAS 06.0048X	Ex e II T* Gb Ex tD A21 IP66 Ex e mb IIC T**°C Gb Ex td mbd A21 IP66 T**°C

*see schedule in hazardous area approval.



Certificate No Code

Product name in sap	New Certificate	Ex Marking
BTV CABLE	TC RU C-BE. MIO62.B.00054/18	1Ex e IIC T6 Gb X 1Ex e mb IIC T6 Gb X Ex tb IIIC T80°C Db X Ex tb mb IIIC T80°C Db X Ta -60°C...+56°C IP66
KTV CABLE	TC RU C-BE. MIO62.B.00054/18	1Ex e IIC 226°C (T2) Gb X 1Ex e mb IIC 226°C (T2) Gb X Ex tb IIIC T226°C Db X Ex tb mb IIIC T226°C Db X Ta -60°C...+56°C IP66
QTV CABLE	TC RU C-BE. MIO62.B.00054/18	1Ex e IIC T4 Gb X 1Ex e mb IIC T4 Gb X Ex tb IIIC T130°C Db X Ex tb mb IIIC T130°C Db X Ta -60°C...+56°C IP66
VPL CABLE	TC RU C-BE. MIO62.B.00054/18	1Ex e IIC T* Gb X 1Ex e mb IIC T* Gb X Ex tb IIIC T* Db X Ex tb mb IIIC T* Db X Ta -60°C...+56°C IP66
XTV CABLE	TC RU C-BE. MIO62.B.00054/182	1Ex e IIC T* Gb X 1Ex e mb IIC T* Gb X Ex tb IIIC T* Db X Ex tb mb IIIC T* Db X Ta -60°C...+56°C IP66

BSA cables are EAC certified to TR CU 004/2011

Rated Voltage

BASEEFA BTV1, QTVR1, KTV1, XTV1, VPL1: 110V, 120V
BTV2, QTVR2, KTV2, XTV2, VPL2: 230V, 277V, VPL4: 400V, 480V

	BSA	BTV	QTVR	XTV	KTV	VPL
Minimum Bending Radius						
-60°C ≤ T < -20°C	35 mm	35 mm	35 mm	51 mm	26 mm	19 mm
-20°C ≤ T < -10°C	30 mm	30 mm	30 mm	35 mm	20 mm	15 mm
-10°C ≤ T < 0°C	25 mm	25 mm	25 mm	25 mm	15 mm	15 mm
0°C ≤ T < +10°C	20 mm	20 mm	20 mm	20 mm	15 mm	15 mm
T ≥ +10°C	10 mm	12 mm	12 mm	12 mm	12 mm	12 mm
Minimum Installation Temperature	-60°C	-60°C	-60°C	-60°C	-60°C	-60°C

	BSA	BTV	QTVR	XTV	KTV	VPL
Maximum Maintain Temperature (power on)	65°C	65°C	110°C	121°C	150°C	See table below
Maximum Exposure Temperature (1000 hrs cumulative exposure power on)	85°C	85°C	110°C	250°C	250°C	-
Maximum Exposure Temperature (continuous power off)	-	-	-	-	-	260°C
Self-limiting Temperature in accordance with IEC/EN 60079-30-1		T6	T4	T3 (T2: 20XTV2, 15/20XTV1)	T2	T*
Power Limiting Temperature (*By design)	-	-	-	-	-	T*

Maximum maintain (power on) temperature table

Cable	110 V	230 V	254 V	277 V	400 V	480 V
5VPL1-CT	235°C	-	-	-	-	-
10VPL1-CT	215°C	-	-	-	-	-
15VPL1-CT	190°C	-	-	-	-	-
20VPL1-CT	150°C	-	-	-	-	-
5VPL2-CT	-	230°C	225°C	225°C	-	-
10VPL2-CT	-	210°C	200°C	195°C	-	-
15VPL2-CT	-	180°C	155°C	105°C	-	-
20VPL2-CT	-	150°C	-	-	-	-
5VPL4-CT	-	-	-	-	230°C	230°C
10VPL4-CT	-	-	-	-	205°C	205°C
15VPL4-CT	-	-	-	-	160°C	160°C
20VPL4-CT	-	-	-	-	150°C	150°C

Warning

As with any electrical equipment or wiring installation operating at line voltages, heating cable and component damage or incorrect installation that allows the penetration of moisture or contamination can lead to electrical tracking, arcing and potential fire hazard.

Do not connect heating cable conductors together or this will result in a short circuit.

Any unconnected heating cable end must be sealed with a nVent approved end seal.

To prevent fire or explosion in hazardous areas, verify that the maximum sheath temperature of the heating cable is below the auto-ignition temperature of the gases in the area. For further information, see design documentation.

2 HEATING CABLE SELECTION

Check the design specification to make sure the proper heating cable is installed on each pipe or vessel. Refer to nVent product literature and the TraceCalc software to select the proper heating cable for each thermal, chemical, electrical and mechanical environment.

3 HEATING CABLE INSTALLATION

- Warning

De-energise all power circuits before installation or servicing

Heating cable storage

- Keep ends of heating cable and kit components dry before and during installation
- Temperature range: -40°C to $+60^{\circ}\text{C}$
- Protect the heating cable from mechanical damage

3.2 Pre-installation checks

Check materials received:

- Review the heating cable design and compare the list of materials to the catalogue numbers of heating cables and electrical components received to confirm that proper materials are on site. The heating cable type is printed on its outer jacket.
- Temperature exposure must not exceed that specified in nVent product literature. Exceeding these limits will impair product performance. Check that expected exposure is within these limits.
- Ensure that the heating cable voltage rating is suitable for the service voltage available.
- Do not energize cable when it is coiled or on the reel.
- Inspect heating cable and components for in-transit damage. An insulation resistance test (see section 8) on each reel is recommended.

Check piping to be traced:

- Ensure all pressure testing is complete and pipework has final paint coating.
- Walk the system and plan the routing of the heating cable on the pipe.
- Check pipework against specification drawing. If different consult design authority.
- Inspect piping for burrs, rough surfaces, sharp edges etc. which could damage the heating cable. Smooth off or cover with layers of glass cloth tape or aluminium foil.

3.3 Heating cable handling

Heating cable handling tips:

- Paint and pipe coatings must be dry to the touch before heating cable installation.
- When pulling the heating cable, avoid:
 - sharp edges
 - excessive pulling force
 - kinking and crushing
 - walking on it, or running over it with equipment

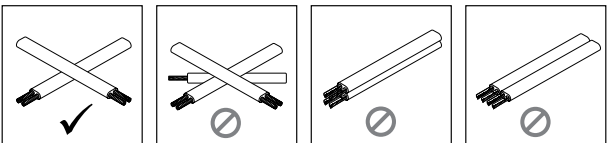
Heating cable pulling tips:

- Use a reel holder that pays out smoothly with little tension.
- Keep heating cable strung loosely but close to the pipe being traced to avoid interference with supports and equipment.
- Pay out designed length and mark (i.e. with fixing tape) on cable while still on reel.
- Leave the appropriate amount of heating cable at all power connection, splice, tee and end seal locations. (Refer to component installation instructions)
 - Add additional heating cable to trace the fittings and supports or for spiralling as required by the design specifications, or consult nVent product literature for design.
- Protect all heating cable ends from moisture, contamination and mechanical damage or other interference if left exposed before component installation.

3.4 Heating cable attachment recommendations

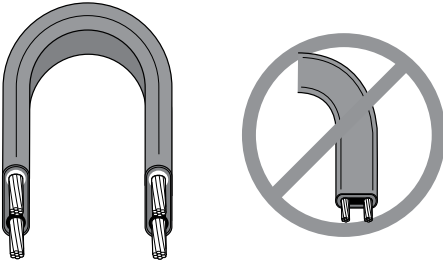
- The heating cable may be installed straight, spiralled or in multiple runs as required by the design specification, nVent product literature or TraceCalc software.
 - Do not use metal attachments, vinyl electrical tape or duct tape as heating cable damage may result.
 - Self-Regulating technology allows for the multiple overlapping of the heating cable on to itself.
- Power Limiting technology dictates that the heating cable can be overlapped only once on to itself. If VPL cables are installed parallel to each other, please allow for minimum 15 mm clearance.

For VPL heating cable only:



- Fix in place with a minimum of two wraps the appropriate self-adhesive glass cloth tape (see figure 1) or plastic cable ties at 300 mm intervals and additionally where necessary.
- Plastic cable ties must have a temperature rating that matches the system exposure temperature.
- The heating cable's minimum bend radius must not be exceeded (refer to p. 6)

Bend the cable only in upright position

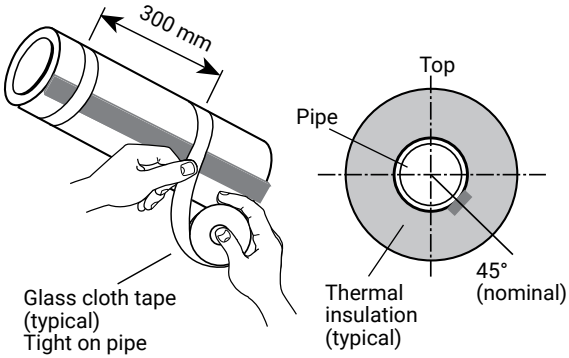


- The heating cable does not bend easily in the flat plane. Do not force such a bend, as the heating cable may be damaged.

3.4.1 Straight tracing

- Straight trace the pipe unless the design calls for spiralling (see 3.4.2).
- On horizontal pipes fix on lower quadrant as shown in Figure 1 and not on bottom of pipe.
- To prevent overheating, be sure the location of the power limiting heating cable is planned so that the active heating zone will not extend into the component. Read the kit installation instructions and plan the component location before permanently attaching the cable to the pipe. Ensure that the active heating zones are located where heat is required i.e. on the pipe.
- Thermally insulate and weatherproof to specification.

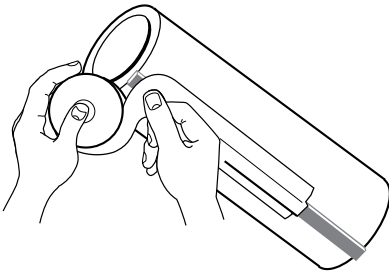
Figure 1



nVent attachment tapes:

- GT66 Self-adhesive glass cloth tape
General purpose tape. Not for stainless-steel surfaces or for installation temperatures <4°C.
- GS54 Self-adhesive glass cloth tape
Recommended for use on stainless-steel and cupra-nickel surfaces or for installation temperatures <4°C.

Figure 2



ATE-180 Aluminium tape
Use only if the design requires it.
ATE-180 improves the heat transfer and increases the power output of the heating cable.
Attach the heating cable to the pipe as shown in Figure 2.

3.4.2. Spiral tracing

- Alternative spiralling methods are shown in Figures 2a and 2b.
- Only spiral heating cable on pipe when called for by design.
- To prevent overheating, be sure the location of the power limiting heating cable is planned so that the active heating zone will not extend into the component. Read the kit installation instructions and plan the component location before permanently attaching the cable to the pipe. Ensure that the active heating zones are located where heat is required i.e. on the pipe.

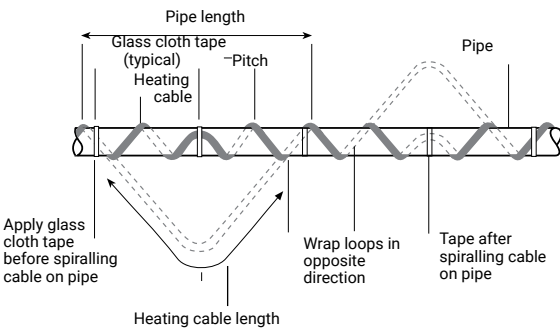
Spiral Pitch Table (mm).

NB	NPS	Spiral Ratio				
(mm)	(inches)	Metres of cable per metre of pipe				
		1.1	1.2	1.3	1.4	1.5
25	1	250	170	140	110	100
32	1 1/4	310	210	170	140	130
40	1 1/2	350	240	190	160	140
50	2	430	300	240	200	180
65	2 1/2	520	360	290	240	210
80	3	630	430	350	290	260
90	3 1/2	720	490	390	330	290
100	4	800	560	440	370	330
125	5	990	680	550	460	400
150	6	1180	810	650	550	480
200	8	1520	1050	840	710	620

Example:

For pipe of 80 mm NB (3" NPS) requiring 1.3 metres of heating cable per metre of pipe, pitch is 350 mm.

Figure 2a

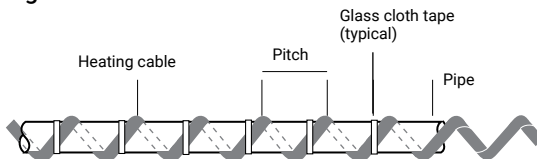


Heating cable length = pipe length x spiral ratio

Refer to design specification for spiral ratio

- Step 1 Make starting loop as shown
- Step 2 Grasp loop and wind around pipe
- Step 3 Space evenly and attach to pipe.
Thermally insulate and weatherproof to specification

Figure 2b



Refer to design specification for spiral pitch

Mark the pipe at the spiral pitch or use a simple length gauge

Fix the heating cable as installation progresses

Thermally insulate and weatherproof to specification

3.5 Cutting the heating cable

- Cut the heating cable to length after it is attached to the pipe. Before cutting it, confirm the tracing allowance as per Sections 3.3 and 3.6.
- RAYCHEM heating cable can be cut to length without affecting the heat output per metre.

3.6 Typical installation details

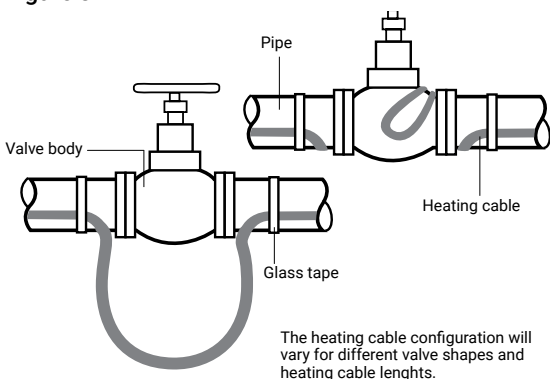
- Typical installation details for fixing heating cable to pipe fittings are shown hereafter.

General notes:

- Trace pipe fittings as shown to allow easy maintenance.
- Consult the design specification or nVent product literature or TraceCalc software for the tracing requirements for fittings and supports.
- Follow the recommendations for cutting and stripping heating cables; they are included in the component installation instructions.

3.6.1 Valve

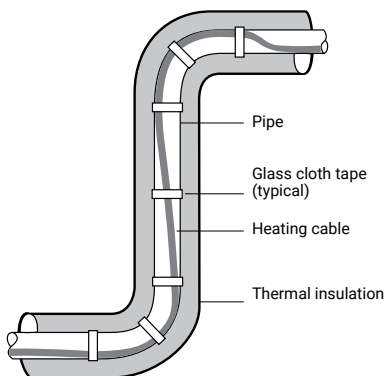
Figure 3



- Refer to design specification for additional heating cable length.
- Fix with self-adhesive glass cloth tape.
- Thermally insulate and weatherproof to specification (including valve stem).

3.6.2 Elbow

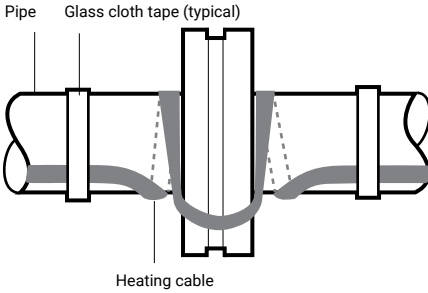
Figure 4



- Fix heating cable to outside (long) radius of elbow
- Fix with self-adhesive glass cloth tape
- Thermally insulate and weatherproof to specification

3.6.3 Flange

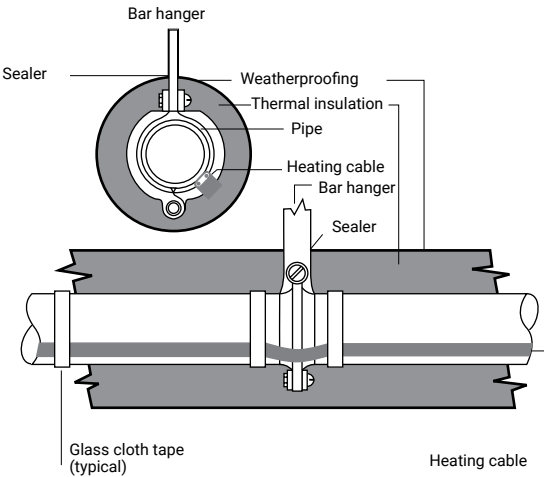
Figure 5



- Additional heating cable is 2-3 times diameter of pipe (typical)
- Fix with self-adhesive glass cloth pipe
- Thermally insulate and weatherproof to specification

3.6.4 Pipe bar hanger

Figure 6

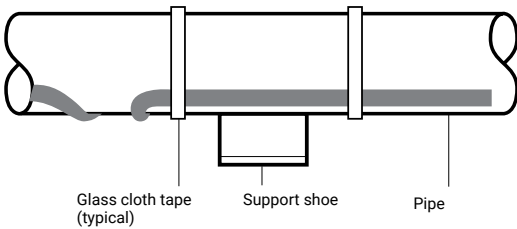


- Do not clamp heating cable with support. Heating cable must be over the support
- No additional heating cable is required for bar or rod pipe hangers unless called for in the design specification, then use loop length specified
- Fix with self-adhesive glass cloth tape
Thermally insulate and weatherproof to specification

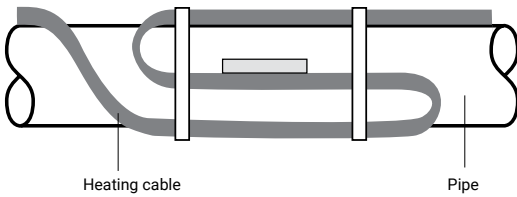
3.6.5 Pipe support shoe

Figure 7

Side view



Bottom view



- Refer to design specification for additional heating cable length
- Fix with self-adhesive glass cloth tape
- Thermally insulate and weatherproof to specification

4 COMPONENTS INSTALLATION

General notes:

Select the required components from nVent product literature or use the TraceCalc software.

RAYCHEM component kits (including power connections, splices and end seals) must be used to satisfy Standards and Approval Body requirements.

Installation instructions included in the kit must be followed, including those for preparation of the heating cable conductors for connections. Before assembly, use the guide given in the instructions to ensure that the kit is correct for the heating cable and environment.

- RAYCHEM self-regulating and power limiting heating cables are parallel circuit design. Do not twist the conductors together as this will result in a short circuit.

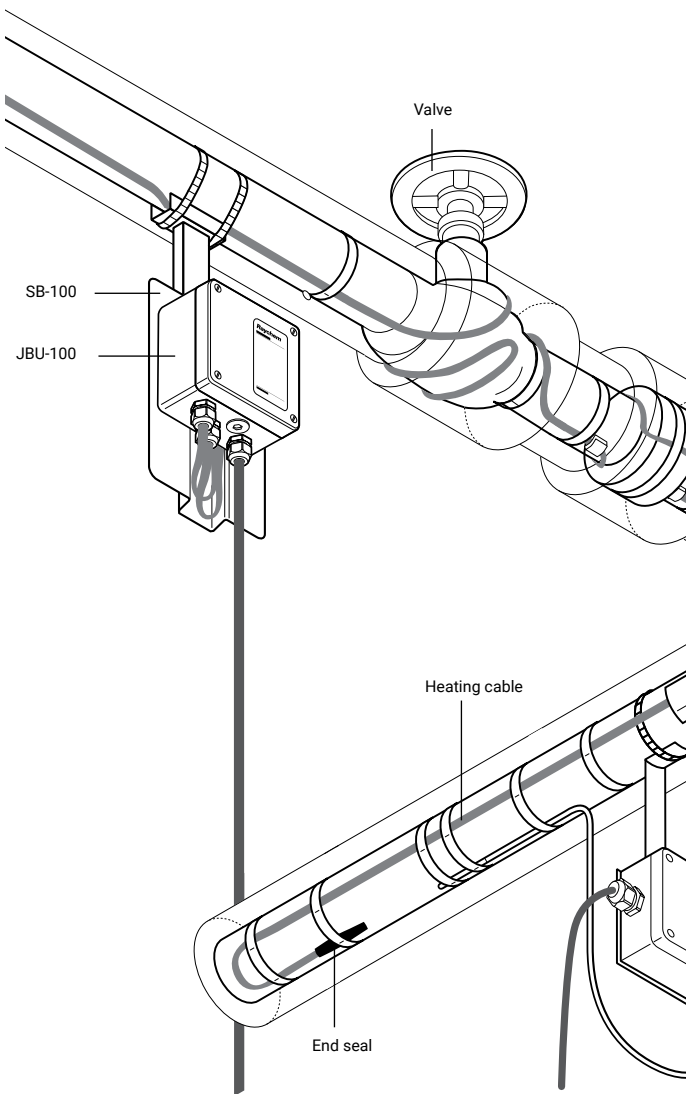
4.1 Components required

- For the installation of all components refer to the relevant component installation instructions.
- Required for each heating cable run:
Power connection and insulation entry kit
End seal.
- As required:
Splice. Tee-splice. Junction box. Three connection kits and three insulation entry kits. Accessories (pipe straps, fixing tape, support brackets, labels, etc.).

4.2 Typical systems installation

Below components are not suitable for BSA. You can find the solutions for BSA in DOC2210 or contact your local nVent representative.

Figure 8a



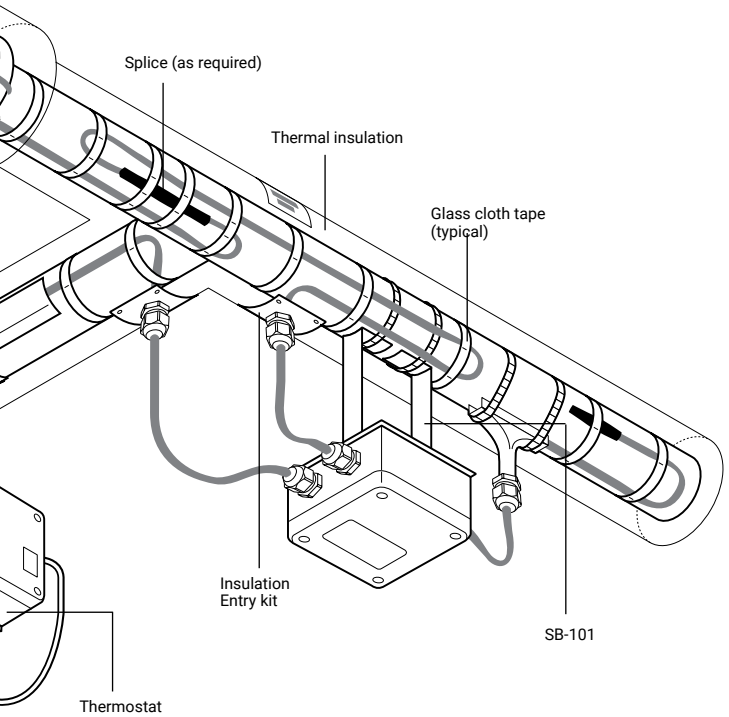
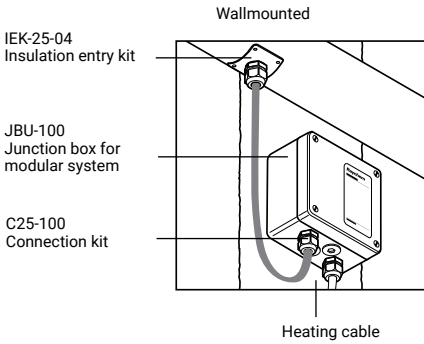
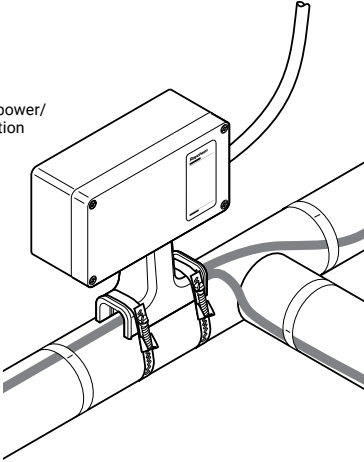


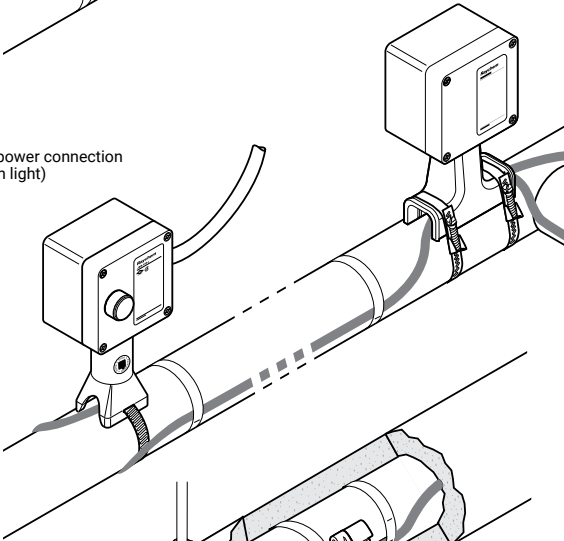
Figure 8b

JBM-100
Integrated power/
tee connection

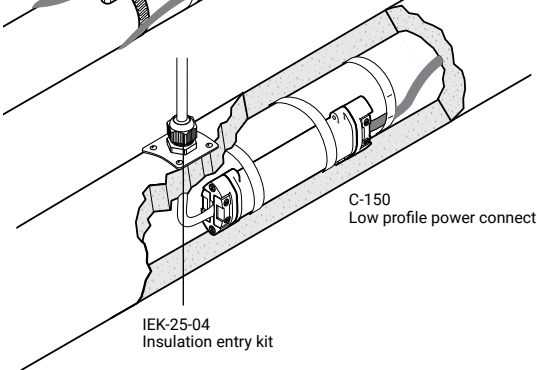


T-100
Tee or splice
connection

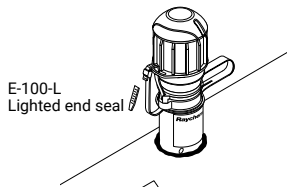
JBS-100
Integrated power connection
(shown with light)



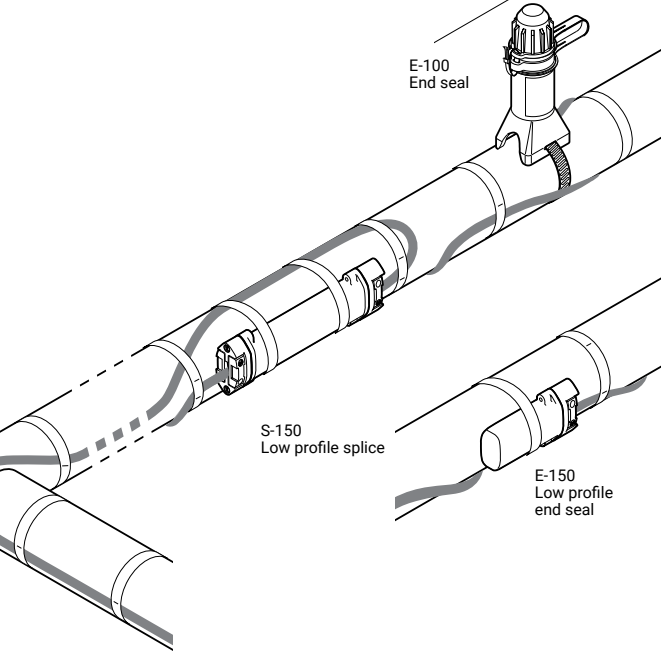
C-150
Low profile power connection



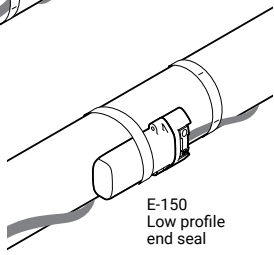
IEK-25-04
Insulation entry kit



END SEAL
ELECTRIC TRACED
Raychem



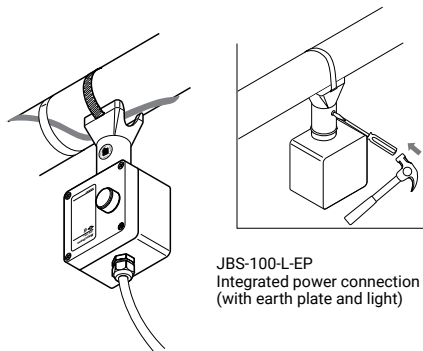
S-150
Low profile splice



4.3 Component installation hints

- On horizontal pipes locate junction boxes below pipe wherever possible. Pinch out drainhole in the stand when installing upside down.
- Locate junction boxes for easy access but not exposed to mechanical abuse.
- Position junction boxes so that power cable and heating cable entries do not point upwards.

Figure 9a



- Fix lids in place where access not required.
- Confirm junction box stopping plugs are correct for application and fixed firmly in place.
- Route heating cable from junction box to insulation entry so as to avoid possible mechanical damage.
 - Do not strain heating cable as it exits/enters junction boxes and insulation entries.
- Ensure heating cable is fixed above pipe straps such as used for junction box support brackets.
- Fix all low profile components (e.g. heatshrink end seals) in place with self-adhesive glass cloth tape.

5 THERMOSTATS

- In temperature-sensitive applications, thermostatic control may be necessary. If maximum temperature is a concern, consult your nVent representative for design assistance.
- Follow the installation instructions supplied with the thermostat. Use the proper wiring diagram for the heating cable layout and control method desired.

6 THERMAL INSULATION AND MARKING

6.1 Pre-insulation checks

- Visually inspect the heating cable and components for correct installation and damage. (See Section 10 if damaged.)
- Insulation resistance (Megger) testing (as per Section 8) is recommended prior to covering the pipe with thermal insulation.

6.2 Insulation installation hints

- Correct temperature maintenance requires properly installed and dry thermal insulation.
- Thermally insulate and weatherproof to design specification.
- Check insulation type and thickness against the design specification.
- To minimize potential heating cable damage, insulate as soon as possible after tracing.
- Check that all pipework, including fittings, wall penetrations and other areas, have been completely insulated.
- Ensure that heating cable is not damaged during installation of cladding for example by drills, self tapping screws and sharp edges of cladding.
- Check that all insulation entry kits are fitted correctly and sealed.
- Ensure that all places where valve stems, support brackets, thermostat capillaries, etc exit the cladding are sealed.

6.3 Marking

- For power limiting heating cable install label: LAB-I-35 as shown (typical) in figures 10a & 10b

Figure 10a

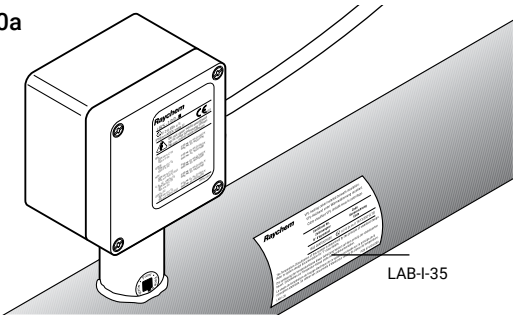
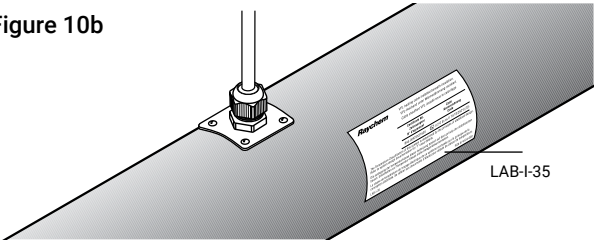
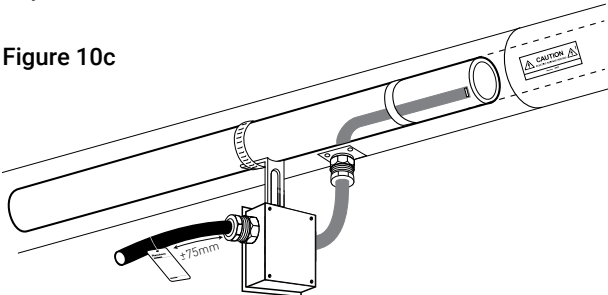


Figure 10b



- The presence of the heating cables shall be made evident by the posting of warning labels or caution labels (“Electric Traced”) on the cladding. Labels are to be applied at maximum 3 meter intervals and on alternate locations along the circuit.
- Install “Electric Traced” signs along piping at suitable intervals (3 m intervals recommended) on alternate sides as a warning.
- Mark on outside of insulation the location of heating cable components.
- For XTV and KTV heating cables if T-class compliance was proven by stabilized design: install LAB-EX-XTV-KTV aluminium tag at approximately 75 mm from the entry of the junction box.

Figure 10c



7 POWER SUPPLY AND ELECTRICAL PROTECTION

7.1 Electrical loading

Size overcurrent protective devices according to the design specification or applicable nVent product literature. If devices other than those specifically identified are used, consult the nVent representative for the appropriate sizing information.

7.2 Ground fault equipment protection is required for each circuit

The metal sheath/braid of the heating cable must be connected to a suitable earthing terminal

7.3 Residual current (earth fault) protection

nVent insists on the use of a 30 mA residual current device to provide maximum safety and protection. However, where there is a marked increase in nuisance tripping, a maximum 300 mA residual current device may be used.

For heating cables installed in a hazardous area, the use of residual current devices is normally a condition of their approval.

HEATING CABLE TESTING

8.1 Recommendations

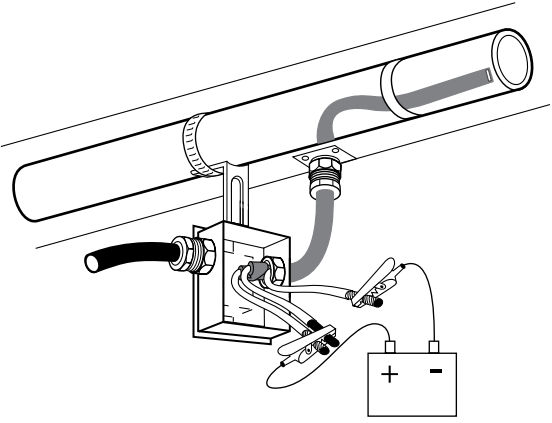
nVent recommends insulation resistance test before installing heating cable; before installing thermal insulation; prior to initial start-up; and as part of the periodic maintenance. (see Section 9.2).

8.2 Test method

After completing heating cable installation, the insulation resistance between the conductors and the braid should be checked (see Figure 11) using a 2.500 VDC megger. Minimum readings should be 10 Megohms regardless of the heating cable length. The installer should record the original values for each circuit on the installation record sheet (see page 25). If a thermostat is installed, it should be bypassed.

Figure 11

Test between heating cable and braid



9 OPERATION, MAINTENANCE AND PIPE REPAIRS

9.1 Heating cable operation

- Temperature exposure must not exceed that specified in nVent product literature. Exceeding those limitations will shorten the service life and may permanently damage the heating cable.
- Pipe insulation must be complete and dry to maintain the correct temperature.

9.2 Inspection and maintenance

- Visual inspection: Exposed heating cable and pipe insulation should be checked periodically to make sure that no physical damage has occurred.
- Meggering: The system should be meggered regularly. When meggering the insulation resistance from the main supply panel, it is recommended that the test is performed between L/N (together) and PE. Freeze protection systems should be meggered before the winter months each year (see section 8). Temperature maintenance systems should be tested at least twice a year. Function testing of electrical protection and temperature control systems should be carried out at regular intervals.
- The Periodic Inspection Record on the following pages should be filled out during maintenance of each circuit in your system.

9.3 Piping systems repair and maintenance

- Isolate heating cable circuit.
- Protect the heating cable from mechanical or thermal damage during pipe repair work.
- Check heating cable installation after pipe repairs and restore thermal insulation following the recommendations in Section 6. Check correct functioning of electrical protection systems.

10 HEATING CABLE DAMAGE

- Do not repair damaged heating cable.
Remove entire damaged section and splice in a new length using the appropriate RAYCHEM splice kits.
- Replace damaged heating cable at once.
Damage allowing moisture and contamination to enter the heating cable may result in arcing earth faults and potential fire hazards.
- Heating cable exposed to fire or flame may cause further fire damage if powered.
Remove from service at once and replace before re-use.

11 TROUBLESHOOTING GUIDE

- Refer to the Troubleshooting guide on pages 32-34.
If the problem persists after following the guide procedures, contact your nVent representative immediately.

INSTALLATION RECORD SHEET

CIRCUIT NO.

INSTALLATION RECORDS FOR:									
Circuit breaker number									
Drawing reference number									
Megger test on pipe before insulating (bypass thermostat if applicable)	Reading								
	Initial								
	Date								
Megger test after insulating (bypass thermostat if applicable)	Reading								
	Initial								
	Date								
Circuit voltage	Panel								
	Connection terminals								
Insulation complete and sealed	Initial								
	Date								
Locations of low profile components are marked on the cladding	Initial								
	Date								

REMARKS & COMMENTS:

INSPECTION AND MAINTENANCE RECORD SHEET

CIRCUIT NO.										
-------------	--	--	--	--	--	--	--	--	--	--

MAINTENANCE CHECKS FOR:		MONTH: _____ YR.: _____											
No signs of overheating, moisture, or corrosion, etc.	Initial												
	Date												
In connection systems Heating cable and cable glands tight Connection terminals tight Earth connection tight Insulation in good condition	Initial												
	Date												
Thermostats set properly and capillaries are protected	Initial												
	Date												

Megger test (bypass thermostat if applicable)	Reading																			
	Initial																			
	Date																			
Circuit voltage	Panel																			
	Connection terminals																			
All boxes and thermostats have been firmly closed	Initial																			
	Date																			
Locations of low profile components are marked on the cladding	Initial																			
	Date																			

REMARKS & COMMENTS:

Troubleshooting guide

A Symptom: Overcurrent protection trips or blows
Probable Causes

- 1 Electrical fault at
 - a damaged heating cable
 - b faulty splices or tees
 - c end seal
 - d connection
-

2 Circuit oversized

3 Start-up below design temperature

4 Defective electrical protection

B Symptom: RCD trips
Probable Causes

- 1 Earth fault at:
 - a damaged heating cable
 - b faulty splices or tees
 - c end seal
 - d connection
-

- 2 Excessive moisture in:
 - a junction boxes
 - b splices and tees
 - c end seals
-

3 High leakage currents due to a combination of excessive lengths of power cable and heating cable.

4 Mains borne disturbances

5 Defective RCD

Corrective Actions

1 Investigate and remedy (see note 1):

2 Resize or redesign within Technical Databook Guidelines. (If larger protection is required, ensure supply cables are compatible).

-
- 3
- a redesign for lower start-up temperatures
 - b preheat pipe from alternative heat source to within exposure temperatures given in Product Data Sheets
 - c Energize part of circuit followed by remainder (e.g. in sequence)

4 Replace

Corrective Actions

1 Investigate and remedy (see note 1):

2 Dry out and reseal or remake immediately. Perform insulation resistance test. (10 MΩ minimum)

3 Redesign

4 Redesign distribution, guidance is available from nVent

5 Replace

C Symptom: No power output.

Probable Causes

- 1 Loss of supply voltage due to:
 - a overcurrent or residual current protection operating
 - b loose terminals in junction box
 - c loss of supply cable continuity (e.g., open circuited from damage)
-

- 2 Control thermostat is connected in the normally open position
-

- 3 High resistance connection at:
 - a junction box terminals
 - b splices and tees
-

D Symptom: Low pipe temperature.

Probable Causes

- 1 Wet thermal insulation
-

- 2 Design error
-

- 3 Incorrect setting or operation of controls e.g., thermostats.
-

- 4 Heating cable has been exposed to excessive temperature beyond rating.
-

Note:

Locate faults by the following steps:

- 1 Visually inspect the power connections, splices and end seals for correct installation.
- 2 Look for signs of damage at:
 - a) Valves, pumps, flanges and supports.
 - b) Areas where repairs or maintenance work has been carried out.
- 3 Look for crushed or damaged insulation and cladding along the pipe.

Corrective Actions

- 1 Restore supply voltage
 - a following A and B (page 31)
 - b re-tighten terminals
NB: If excessive heating has occurred due to high resistance, replace terminals or crimps
 - c locate damage and repair
-

- 2 Reconnect to normally closed position
-

- 3 Locate and remedy by:
 - a re-tighten
 - b repair
NB: If excessive heating has occurred due to high resistance, replace terminals or crimps
-

Corrective Actions

- 1 Remove and replace with dry insulation of correct specification and ensure complete weatherproofing
 - 2
 - a check with competent authority for design conditions
 - b modify to meet nVent recommendations
-

- 3 Repair or reset to correct level of operation
-

- 4 Replace
-

- 4 If after 1, 2 and 3 above the fault has not been located, then either:
 - a) Consult nVent for further assistance.
 - b) Where local practices and conditions allow (e.g., non hazardous areas) isolate one section of heating cable from another by cutting in half and testing (e.g., Insulation Resistance) both halves until general area of damage is found. Remove insulation and expose fault.

België / Belgique

Tel. +32 16 21 35 02
Fax +32 16 21 36 04
salesbelux@nVent.com

Bulgaria

Tel. +359 5686 6886
Fax +359 5686 6886
salesee@nVent.com

Česká Republika

Tel. +420 602 232 969
czechinfo@nVent.com

Denmark

Tel. +45 70 11 04 00
salesdk@nVent.com

Deutschland

Tel. 0800 1818205
Fax 0800 1818204
salesde@nVent.com

España

Tel. +34 911 59 30 60
Fax +34 900 98 32 64
ntm-sales-es@nVent.com

France

Tél. 0800 906045
Fax 0800 906003
salesfr@nVent.com

Hrvatska

Tel. +385 1 605 01 88
Fax +385 1 605 01 88
salesee@nVent.com

Italia

Tel. +39 02 577 61 51
Fax +39 02 577 61 55 28
salesit@nVent.com

Lietuva/Latvija/Eesti

Tel. +370 5 2136633
Fax +370 5 2330084
info.baltic@nVent.com

Magyarország

Tel. +36 1 253 7617
Fax +36 1 253 7618
saleshu@nVent.com

Nederland

Tel. 0800 0224978
Fax 0800 0224993
salesnl@nVent.com

Norge

Tel. +47 66 81 79 90
salesno@nVent.com

Österreich

Tel. 0800 29 74 10
Fax 0800 29 74 09
salesat@nVent.com

Polska

Tel. +48 22 331 29 50
Fax +48 22 331 29 51
salespl@nVent.com

Republic of Kazakhstan

Tel. +7 712232 09 68
Fax +7 7122 32 55 54
saleskz@nVent.com

Россия

Тел. +7 495 926 18 85
Факс +97 495 926 18 86
salesru@nVent.com

Serbia and Montenegro

Tel. +381 230 401 770
Fax +381 230 401 770
salesee@nVent.com

Schweiz / Suisse

Tel. 0800 551 308
Fax 0800 551 309
info-ntm-ch@nVent.com

Suomi

Puh. 0800 11 67 99
salesfi@nVent.com

Sverige

Tel. +46 31 335 58 00
salesse@nVent.com

Türkiye

Tel. +90 560 977 6467
Fax +32 16 21 36 04
ntm-sales-tr@nVent.com

United Kingdom

Tel. 0800 969 013
Fax 0800 968 624
salesthermalUK@nVent.com



nVent.com

©2019 nVent. All nVent marks and logos are owned or licensed by nVent Services GmbH or its affiliates. All other trademarks are the property of their respective owners. nVent reserves the right to change specifications without notice.

Raychem-IM-DOC71-SelfReg-HeatingCable-EN-1905

PCN 481825-000