

LGMG

SC0610E

CRAWLER SCISSOR LIFT

- Easy to navigate slopes or uneven ground, excellent performance across obstacles, ideal for harsh construction environments.
- Compact in size with 360 degree turning on the spot, suitable for use in narrow spaces.
- Large-screen ECU, easy to operate, user friendly.
- Pull out battery tray and removable side cover of motor make maintenance convenient.



LGMG Crawler Scissor Lift

SPECIFICATIONS

Models	SC0610E (SC2240E)	
Measurements	Metric	Imperial
Work Height Max.	8.8m	28'10"
A Platform Height-Raised	6.8m	22'4"
B Platform Length	1.9m	6'3"
C Platform Width	0.73m	2'5"
D Overall Length	2.05m	6'9"
E Overall Width	0.99m	3'3"
F Overall Height-Guardrails Up	2.19m	7'2"
G Extension Deck	0.9m	2'11"
H Wheelbase	1.55m	5'1"
Ground Clearance	115mm	5"

Productivity

Max. Platform Occupancy	2(in) / 1(out)	
Platform Capacity	250kg	551 lbs
Platform Capacity-Extension Deck	120kg	265 lbs
Gradeability-Stowed	25%	25%
Min. Turning Radius	Turning on the spot	
Raise/Lower Speed	36s/36s	36s/36s

Power

Power Source	24V 115Ah	24V 115Ah
--------------	-----------	-----------

Hydraulic System

Hydraulic Oil Capacity	5.5L	1.4gal
------------------------	------	--------

Weight

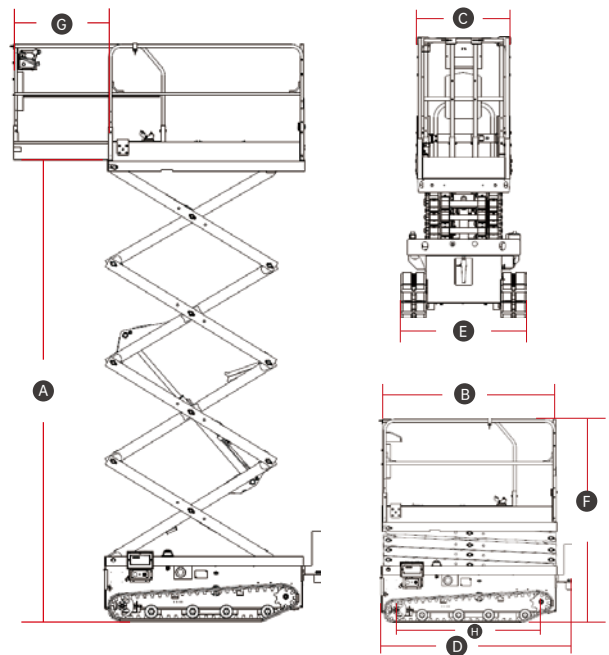
Machine Weight (CE/ANSI)	1600kg	3528 lbs
--------------------------	--------	----------

STANDARD FEATURES

Proportional control	Tilt alarm with lift cut-out
Emergency stop device	Overload sensing system
Emergency descent	Descent alarm with flashing beacon
Self-lock entry gate	Intelligent diagnostic system
All motions alarm	Non-marking crawlers
Foldable ladder	Maintenance-free battery
Single joystick controller	

OPTIONAL

AC power to platform	Biodegradable hydraulic oil
Voice alarm system	Telematics
Dual joystick controller	



Please contact LGMG or a local dealer for more details.

LGMG reserves the right to change technical data without prior notice. All photos and pictures in this brochure are for promotional purposes only.

LINGONG HEAVY MACHINERY CO., LTD.

Address: No. 2676, Kejia Road, Jinan, Shandong, China
 Email: sales@lmgm.com.cn Tel: +86 531 6787 9283

LGMG Europe B.V.

Address: Donker Duyvisweg 301, 3316 BL Dordrecht, The Netherlands
 Email: sales@lmgmeurope.com Tel: +31 850 642 777

LGMG North America Inc.

Address: 4105 Live Oak Drive, Suite 100, The Colony, Texas 75056 United States
 Email: sales@lmgmna.com Tel: +1 833 288 5464

www.lmgmlifts.com



LGMG
 RELIABILITY IN ACTION