

# LGMG

## S1413E II

**ELECTRIC MOTOR DRIVE  
SCISSOR LIFT**

- Large lower control panel
- Entire range designed for indoor and outdoor use
- Universal key components
- More convenient to maintain
- Optional lithium battery for the entire product range



# LGMG ELECTRIC MOTOR DRIVE SCISSOR LIFT

## SPECIFICATIONS

MODELS	S1413E II ( S4650E II )	
Measurements	Metric	Imperial
Work Height Max.	15.8/10m (in / out)	51'10"/32'9" (in / out)
<b>A</b> Platform Height-Raised	13.8/8m (in / out)	45'3"/26'3" (in / out)
<b>B</b> Platform Length	2.64m	8'8"
<b>C</b> Platform Width	1.12m	3'8"
<b>D</b> Overall Length	2.8m	9'2"
<b>E</b> Overall Width	1.3m	4'3"
<b>F</b> Overall Height-Guardrails Up	2.74m	9'
<b>G</b> Overall Height-Guardrails Down	1.94m	6'4"
<b>H</b> Extension Deck	0.9m	2'11"
<b>I</b> Wheelbase	2.22m	7'3"
Ground Clearance(Stowed/Raised)	105/20mm	4"/1"

### PRODUCTIVITY

Max. Platform Occupants	2 (in) / 1(out)	
Platform Capacity	320kg	705 lbs
Platform Capacity-Extension Deck	120kg	265 lbs
Drive Height	Full Height	
Gradeability-Stowed	25%	
Min. Turning Radius	2.85m	9'4"
Raise/Lower Speed	80s / 65s	
Brakes	Front-wheel Brake	
Drive Mode	4x2	
Tire Type	Solid Non-marking	
Tire Size	380x130mm	15"x5"

### POWER

Power Source	24V 300Ah	
Power Source (S1413E II-Li)	24V 230Ah	

### HYDRAULIC SYSTEM

Hydraulic Oil Capacity	25.5L	6.7gal
------------------------	-------	--------

### WEIGHT

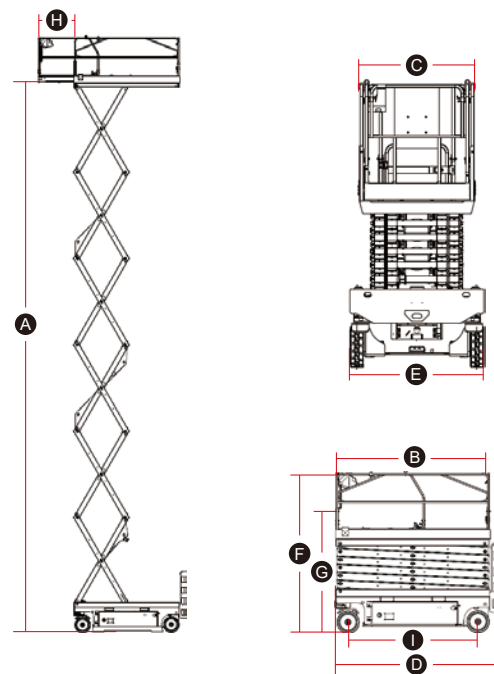
Machine Weight(CE/ANSI)	3500kg	7716 lbs
-------------------------	--------	----------

### STANDARD FEATURES

Proportional control	Indoor and outdoor rated
Foldable guardrail	Emergency stop device
Manual brake release	Swing-out component tray
Emergency descent	Tilt alarm with lift cut-out
Pothole guard	Overload sensing system
Self-lock entry gate	Descent alarm with flashing beacon
All motions alarm	Intelligent diagnostic system
Full-height drive	Solid non-marking tires

### OPTIONAL

AC power to platform	Anti-collision protection
Voice alarm system	Maintenance-free battery
Telematics	Biodegradable hydraulic oil



Please contact LGMG or a local dealer for more details.

LGMG reserves the right to change technical data without prior notice. All photos and pictures in this brochure are for promotional purposes only.

This brochure comes into effect in May, 2023.

## LINGONG HEAVY MACHINERY CO., LTD.

Address: No. 2676, Kejia Road, Jinan, Shandong, China  
 Email: sales@lmgm.com.cn Tel: +86 531 6787 9283

## LGMG Europe B.V.

Address: Donker Duyvisweg 301, 3316 BL Dordrecht, The Netherlands  
 Email: sales@lmggeurope.com Tel: +31 850 642 777

## LGMG North America Inc.

Address: 4105 Live Oak Drive, Suite 100, The Colony, Texas 75056 United States  
 Email: sales@lmgmna.com Tel: +1 833 288 5464

www.lmgglifts.com



RELIABILITY IN ACTION