

# LGMG

## SS0407ER

**ELECTRIC MOTOR DRIVE  
SCISSOR LIFT (SS SERIES)**

- Lightweight and compact, this machine can easily be transported in passenger elevators.
- The foldable climbing ladder effectively reduces the overall length of the machine.
- Rear-wheel drive, precise and smooth driving control, easy and reliable operation.
- Highly efficient motor drive system provides better climbing performance.
- Indoor-outdoor model, excellent load capacity, 240kg platform capacity for 2 persons.



# LGMG SCISSOR LIFT RANGE (SS SERIES)

## SPECIFICATIONS

Models	SS0407ER ( SS1230ER )	
Measurements	Metric	Imperial
Work Height Max.	5.6m	18'5"
<b>A</b> Platform Height-Raised	3.6m	11'10"
<b>B</b> Platform Length	1.27m	4'2"
<b>C</b> Platform Width	0.7m	2'4"
<b>D</b> Overall Length (with ladder)	1.47m	4'10"
<b>E</b> Overall Width	0.76m	2'6"
<b>F</b> Overall Height-Guardrails Up	2m	6'7"
Overall Height-Guardrails Down	1.57m	5'2"
<b>G</b> Extension Deck	0.6m	2'
<b>H</b> Wheelbase	1.05m	3'5"
Ground Clearance(Stowed/Raised)	50/20mm	2"/0.8"

Productivity		
Max. Platform Occupants	2(in) / 1(out)	
Platform Capacity	240kg	530 lbs
Platform Capacity-Extension Deck	100kg	221 lbs
Drive Height	Full Height	
Gradeability-Lowered	25%	25%
Min. Turning Radius	1.5m	4'11"
Raise/Lower Speed	25 / 18s	
Brakes	Rear-wheel Brake	
Drive Mode	4x2	4x2
Tires Type	Solid Non-marking	
Tires Size	230x80mm	9"x3"

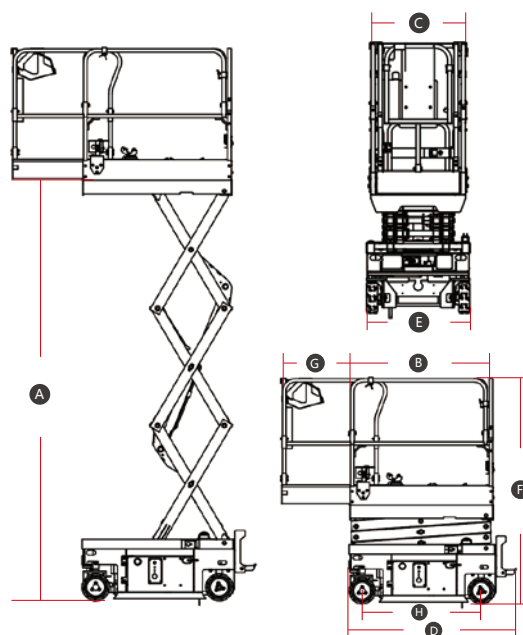
Power		
Power Source	24V DC 100Ah(Maintenance free)	

Hydraulic System		
Hydraulic Oil Volume	4L	1gal

Weight		
Machine Weight (CE/ANSI)	880kg	1940 lbs

STANDARD FEATURES	
Proportional control	Swing-out component tray
Foldable guardrail	Self-lock entry gate
Emergency stop device	Tilt alarm with lift cut-out
Manual brake release	Overload sensing system
Emergency descent	Descent alarm with flashing beacon
Pothole guard	Intelligent diagnostic system
All motions alarm	Solid non-marking tires
Full-height drive	

OPTIONAL	
AC power to platform	Anti-collision protection
Telematics	Biodegradable hydraulic oil
Voice alarm system	



Please contact LGMG or a local dealer for more details.  
LGMG reserves the right to change technical data without prior notice. All photos and pictures in this brochure are for promotional purposes only.  
This brochure comes into effect in May, 2023.

### LINGONG HEAVY MACHINERY CO., LTD.

Address: No. 2676, Kejia Road, Jinan, Shandong, China  
Email: sales@lmgm.com.cn Tel: +86 531 6787 9283

### LGMG Europe B.V.

Address: Donker Duyvisweg 301, 3316 BL Dordrecht, The Netherlands  
Email: sales@lmgmeurope.com Tel: +31 850 642 777

### LGMG North America Inc.

Address: 4105 Live Oak Drive, Suite 100, The Colony, Texas 75056 United States  
Email: sales@lmgmna.com Tel: +1 833 288 5464

www.lmgmlifts.com

