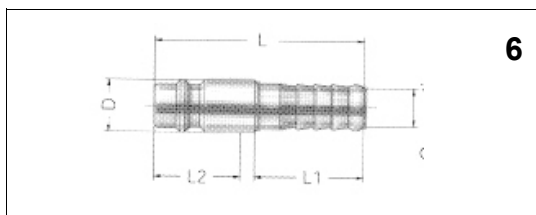
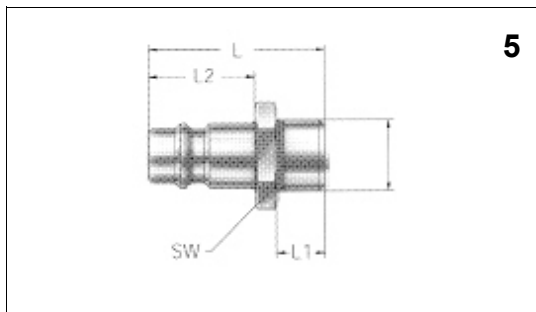
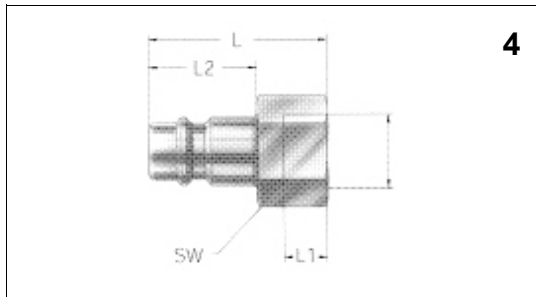
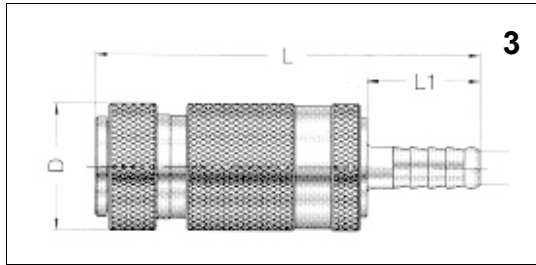
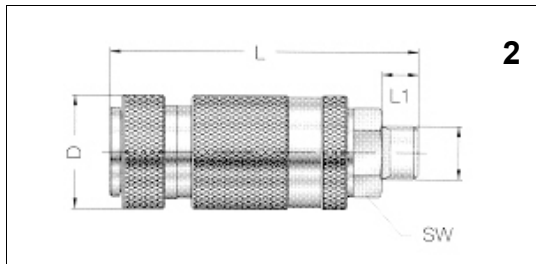


# BiTec

## BiTec Serie 125.E - NW 7,8

The combination of sliding valve (blue bush) and quick lock (small bush) makes the handling and the safety function of the BiTec so unique. The connection operates pressure less the only resistance to get over is the force of the spring. Pushing the typical blue bush forward must be done to achieve the built-up pressure. In this position it is impossible, by error or delaboration, to interrupt the connection. Two things happen, if the sliding valve is brought back to its starting point. The hose will be deaired and the connection can be separated. This is a safety factor which has been well accepted by the German employer's liability insurance association. The BiTec of course meets the requirements of DIN ISO 4414 and DIN ISO 6150 B.



		1/4"	3/8"	1/2"
1	Female thread Binnendraad	N0WK0	N0WL0	N0WM0
2	Male thread Buitendraad	N0WA0	N0WB0	N0WC0
4	Female thread Binnendraad	OMF0P	OMFQ0	OMFR0
5	Male thread Buitendraad	OMFB0	OMFC0	OMFD0



		6 mm	8 mm	10 mm	13 mm
3	Hose tail Slangpilaar	N0WU0	N0WV0	N0WX0	N0WY0
6	Hose tail Slangpilaar	OMF10	OMF20	OMF40	OMF50

**Performance:**

- Single shut off
- Working pressure: 1 - 20 bar
- Temp: -20°C to 100°C

