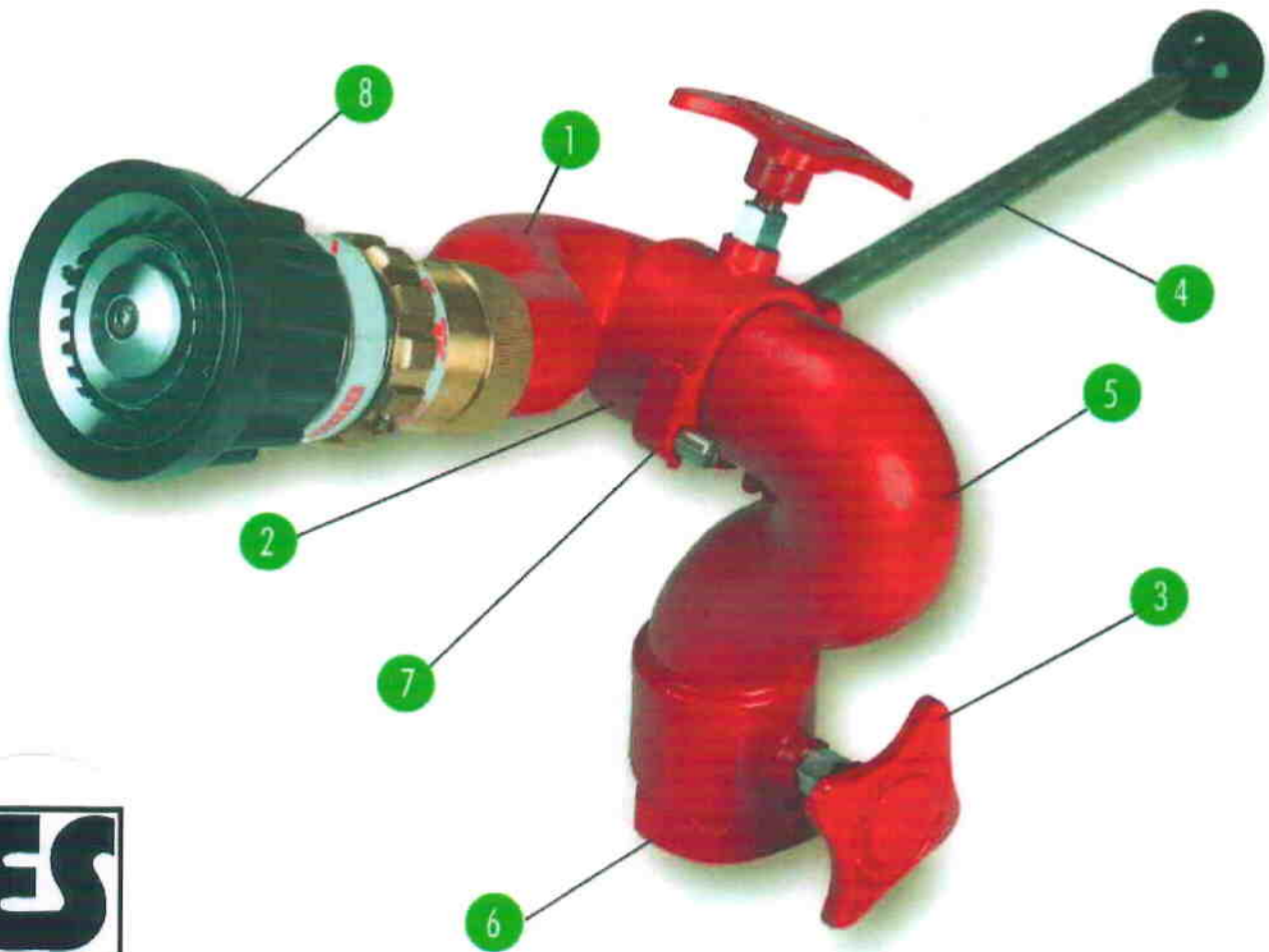
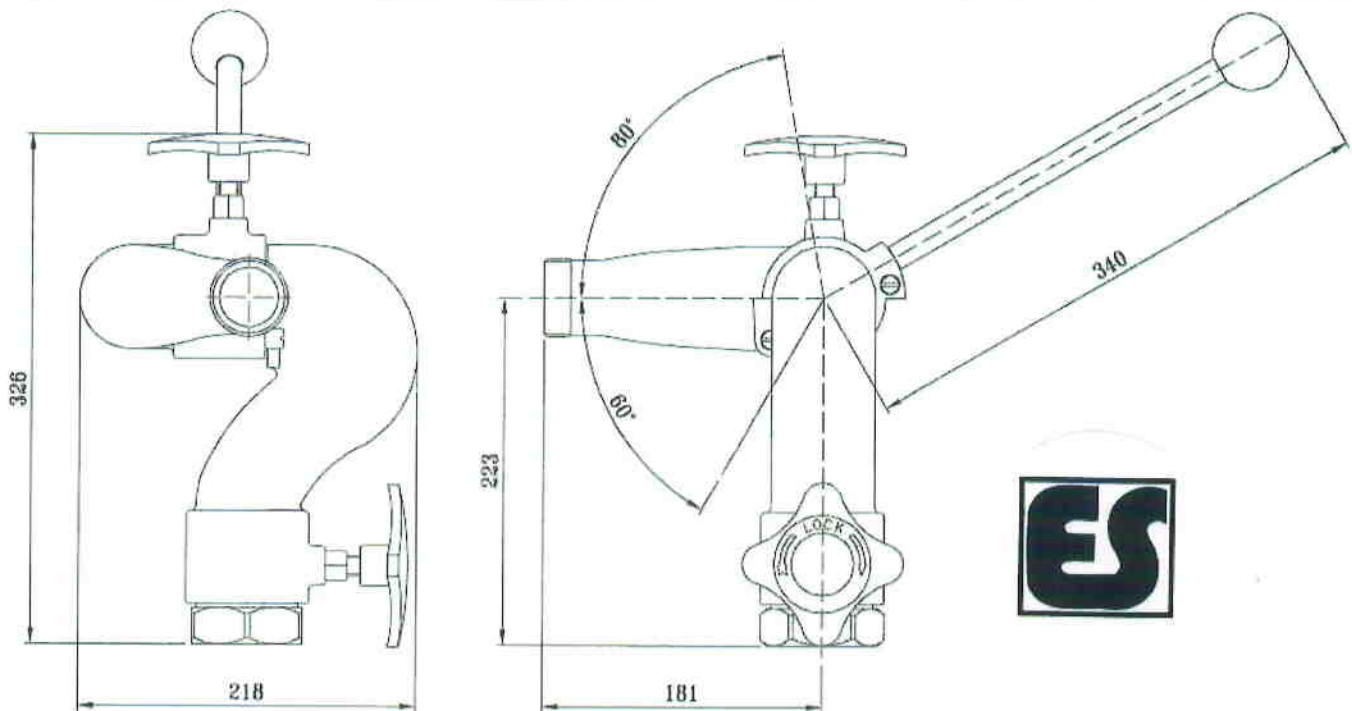


## Industrial Monitors

### Unique Features of Industrial Monitors

1. Flow turning vanes in each elbow to reduce friction
2. Powder coating gives a tough corrosion resistant finish
3. Positive friction locks with bronze knob on both horizontal and vertical
4. Stainless steel lever
5. Major components made from bronze alloy (UNSC83600, ASTM B62) for a long serving life
6. Able to be supplied in 2" NPT or 2" BSP threaded inlet optional flange available
7. A double row of stainless steel ball bearing in monitors joints ensure easy movement even when monitor is under pressure
8. A comprehensive range of water and self-educing foam master nozzle available to fit for any application





## Style # 605

- Corrosion resistant bronze construction ideal for marine, offshore, industrial or other corrosive environment
- Full 2" vaned waterway to improve stream performance
- 360° rotation and 140° (80° above to 60° below) vertical travel
- Positive friction locks on both horizontal and vertical travel
- 500 GPM (1,900 LMP) capacity
- Operation pressure of 200 PSI (14 bar)
- Stainless steel lever
- 2" threaded inlet and 1.1/2" outlet
- Recommended optional nozzles style #881-BC self-educing nozzle #818-BC water nozzle



Style #881-BC



Style #818-BC

# BLUSMONITOR

## BLUSMONITOR 605 STATION MONITOR

Corrosiebestendig bronzen constructie.

Volledige 2" waterweg. 360 graden rotatie en 150 graden elevatie.

Max. Capaciteit 1.900 lpm. Inlaat 2", uitlaat 1.5".

## BLUSMONITOR 820-BC NOZZLE, 1 1/2" NSt

Bronzen constructie.

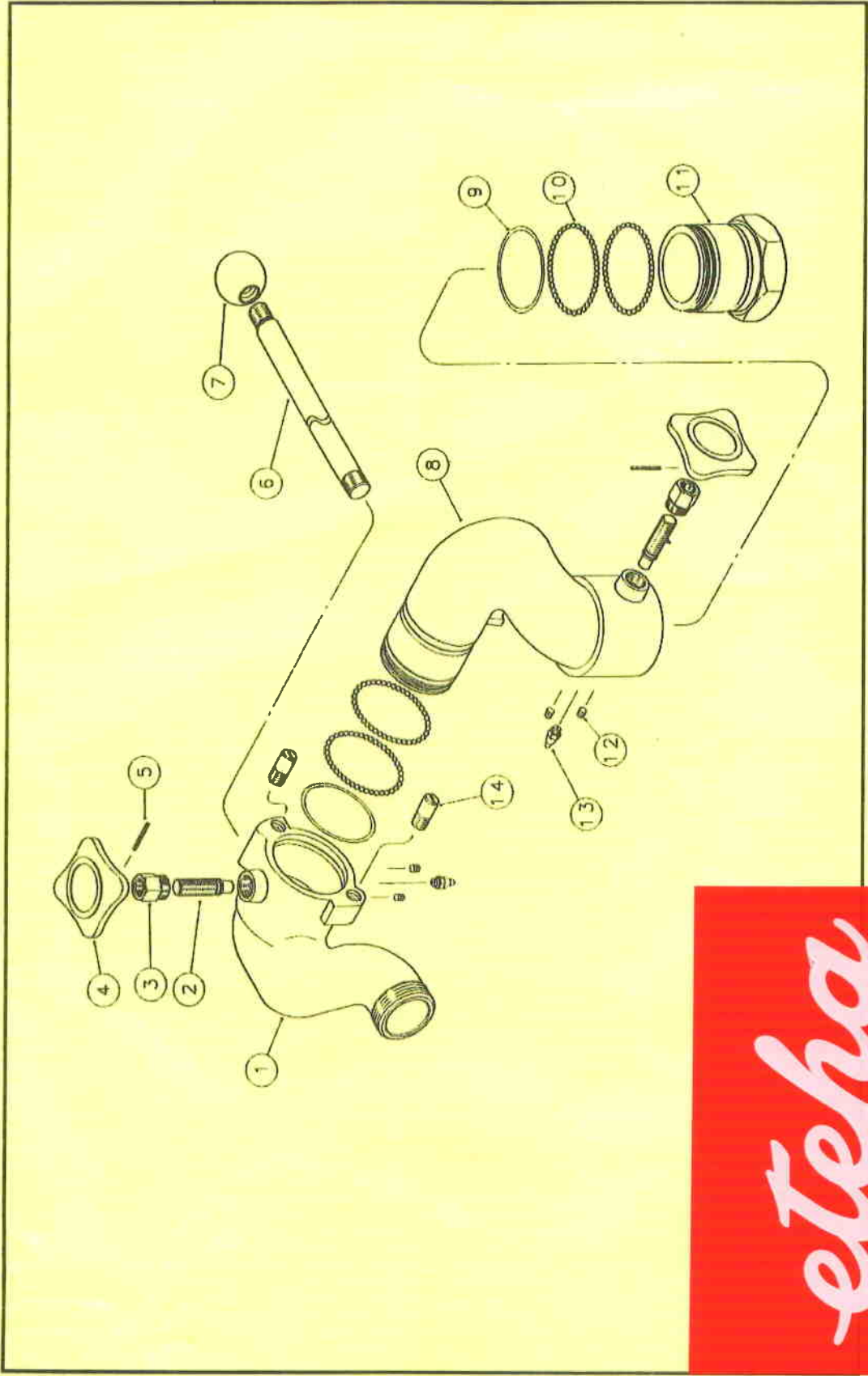
Met 1 1/2" NST, draad aansluiting.

Volume instelbaar van 750, 950, 1325 LPM bij 7 bar



Bereik bij 5 bar met +/- 1100lpm is 47mtr





**SERVICE PART LIST**  
**STYLE # 605 MONITOR**



## SERVICE PART LIST FOR STYLE # 605 MONITOR

ITEM NO.	PARTS DESCRIPTION	PARTS NO.	QUANTITY
1	OUTLET ELBOW	B0600	1
2	ADJUSTABLE SPINDLE	B0490	2
3	NUT	B0510	2
4	BRAKE KNOB	B1590	2
5	PIN	F0280	2
6	HANDLE	B0630	1
7	HANDLE KNOB	F0250	1
8	ELBOW	B0610	1
9	O-RING	00430	2
10	BALL BEARING	F0076	164
11	INLET CONNECTION	B0620	1
12	SCREW	S0112	4
13	GREASE FITTING	F0201	2
14	NUT	B1523	2



*eteha*  
SLANGTECHNIEK