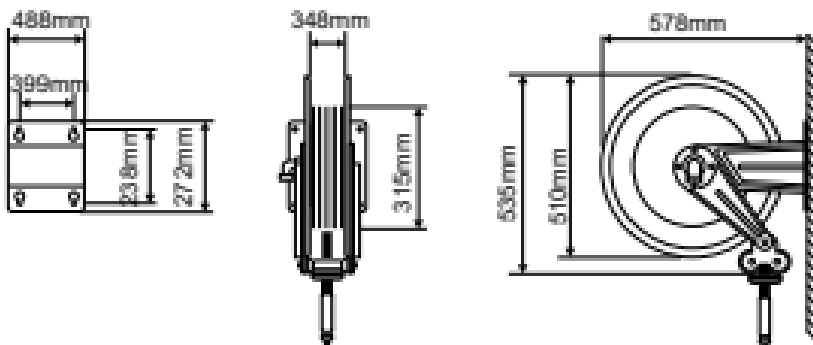




HOSE REEL ES710





- Spring rewind mechanism
- Latching system
- Max. 60m hose - 1" hose
- Casing in painted steel or stainless steel
- Fixed mounting bracket
- Adjustable hose guide
- Mountable in any position



Painted steel								
Medium	Length of the hose	Inner Ø	Max. pressure	Max. temp.	Swivel	Swivel connection	Armature	Item-No.
Cold water	without	-	20bar	90°C	brass	½" F	-	1.710.100
	60m	½"	12bar	50°C	brass	½" F	brass coupling	1.710.101
	50m	¾"	10bar	50°C	brass	½" F	brass coupling	1.710.102
	ohne	-	20bar	90°C	brass	½" F	-	1.710.130
	40m	¾"	10bar	50°C	brass	½" F	brass coupling	1.710.131
	30m	1"	9bar	50°C	brass	½" F	brass coupling	1.710.132
Hot water	without	-	20bar	90°C	brass	½" F	-	1.710.100
	40m	½"	15bar	90°C	brass	½" F	brass coupling	1.710.104
	40m	¾"	15bar	90°C	brass	½" F	brass coupling	1.710.105
	40m	¾"	15bar	90°C	brass	½" F	brass coupling	1.710.135
	30m	1"	15bar	90°C	brass	½" F	brass coupling	1.710.136
Compressed air	without	-	20bar	90°C	brass	½" F	-	1.710.100
	50m	12,5mm	20bar	50°C	brass	½" F	NW 7,2	1.710.103
	40m	19mm	20bar	50°C	brass	½" F	-	1.710.133
	30m	25mm	20bar	50°C	brass	½" F	NW 7,2	1.710.134
Vacuum	40m	¾"	5bar	50°C	brass	½" IG	-	1.710.141
	30m	1"	5bar	50°C	brass	½" IG	-	1.710.142
High pressure 100	without	-	100bar	130°C	stainless steel	½" IG	-	1.710.200
	50m (black)	13mm	100bar	130°C	stainless steel	½" IG	M22x1,5 F	1.710.202
	50m (blue)	13mm	100bar	130°C	stainless steel	½" IG	M22x1,5 F	1.710.205
	without	-	100bar	130°C	stainless steel	½" IG	-	1.710.230
	40m	19mm	100bar	130°C	stainless steel	½" IG	M22x1,5 F	1.710.233
	30m	25mm	88bar	130°C	stainless steel	½" IG	M22x1,5 F	1.710.234
High pressure 200	without	-	200bar	130°C	stainless steel	¾" F	-	1.710.300
	45m (black)	8mm	200bar	130°C	stainless steel	¾" F	M22x1,5 F	1.710.301
	55m (black)	8mm	200bar	130°C	stainless steel	¾" F	M22x1,5 F	1.710.302
	40m (black)	10mm	200bar	130°C	stainless steel	¾" F	M22x1,5 F	1.710.303
	50m (black)	10mm	200bar	130°C	stainless steel	¾" F	M22x1,5 F	1.710.304
	45m (blue)	8mm	200bar	130°C	stainless steel	¾" F	M22x1,5 F	1.710.305
	55m (blue)	8mm	200bar	130°C	stainless steel	¾" F	M22x1,5 F	1.710.306
	40m (blue)	10mm	200bar	130°C	stainless steel	¾" F	M22x1,5 F	1.710.307
	50m (blue)	10mm	200bar	130°C	stainless steel	¾" F	M22x1,5 F	1.710.308
	High pressure 400	without	-	400bar	130°C	stainless steel	¾" F	-
40m (black)		10mm	400bar	130°C	stainless steel	¾" F	M22x1,5 F	1.710.403
50m (black)		10mm	400bar	130°C	stainless steel	¾" F	M22x1,5 F	1.710.404
40m (blue)		10mm	400bar	130°C	stainless steel	¾" F	M22x1,5 F	1.710.407
50m (blue)		10mm	400bar	130°C	stainless steel	¾" F	M22x1,5 F	1.710.408
Pesticides	without	-	100bar	-	stainless steel	½" F	-	1.710.200
	60m	¾"	40bar	-	stainless steel	½" F	½" F	1.710.241
	50m	½"	40bar	-	stainless steel	½" F	½" F	1.710.242
	60m	½"	80bar	-	stainless steel	½" F	½" F	1.710.246

Painted steel								
Medium	Length of the hose	Inner Ø	Max. pressure	Max. temp.	Swivel	Swivel connection	Armature	Item-No.
Diesel	30m	¾"	20bar	-	brass	1" F	¾" M	1.710.631
	40m	¾"	20bar	-	brass	1" F	¾" M	1.710.632
	20m	1"	20bar	-	brass	1" F	1" M	1.710.633
	30m	1"	20bar	-	brass	1" F	1" M	1.710.634
Oil	without	-	150bar	60°C	steel zincd	½" F	-	1.710.930
	40m	¾"	100bar	60°C	steel zincd	½" F	¾" M	1.710.931
	30m	1"	86bar	60°C	steel zincd	½" F	1" M	1.710.932

Stainless steel								
Medium	Length of the hose	Inner Ø	Max. pressure	Max. temp.	Swivel	Swivel connection	Armature	Item-No.
Cold water	without	-	20bar	90°C	brass	½" F	-	1.714.100
	60m	½"	12bar	50°C	brass	½" F	brass coupling	1.714.101
	50m	¾"	10bar	50°C	brass	½" F	brass coupling	1.714.102
	ohne	-	20bar	90°C	brass	½" F	-	1.714.130
	40m	¾"	10bar	50°C	brass	½" F	brass coupling	1.714.131
	30m	1"	9bar	50°C	brass	½" F	brass coupling	1.714.132
Hot water	without	-	20bar	90°C	brass	½" F	-	1.714.100
	40m	½"	15bar	90°C	brass	½" F	brass coupling	1.714.104
	40m	¾"	15bar	90°C	brass	½" F	brass coupling	1.714.105
	40m	¾"	15bar	90°C	brass	½" F	brass coupling	1.714.135
	30m	1"	15bar	90°C	brass	½" F	brass coupling	1.714.136
Compressed air	without	-	20bar	90°C	brass	½" F	-	1.714.100
	50m	12,5mm	20bar	50°C	brass	½" F	NW 7,2	1.714.103
	40m	19mm	20bar	50°C	brass	½" F	-	1.714.133
	30m	25mm	20bar	50°C	brass	½" F	NW 7,2	1.714.134
Vacuum	40m	¾"	5bar	50°C	brass	½" F	-	1.714.141
	30m	1"	5bar	50°C	brass	½" F	-	1.714.142
High pressure 100	without	-	100bar	130°C	stainless steel	½" F	-	1.714.200
	50m (black)	13mm	100bar	130°C	stainless steel	½" F	M22x1,5 F	1.714.202
	50m (blue)	13mm	100bar	130°C	stainless steel	½" F	M22x1,5 F	1.714.205
	without	-	100bar	130°C	stainless steel	½" F	-	1.714.230
	30m	19mm	100bar	130°C	stainless steel	½" F	M22x1,5 F	1.714.233
		25mm	88bar	130°C	stainless steel	½" F	M22x1,5 F	1.714.234
High pressure 200	without	-	200bar	130°C	stainless steel	¾" F	-	1.714.300
	45m (black)	8mm	200bar	130°C	stainless steel	¾" F	M22x1,5 F	1.714.301
	55m (black)	8mm	200bar	130°C	stainless steel	¾" F	M22x1,5 F	1.714.302
	40m (black)	10mm	200bar	130°C	stainless steel	¾" F	M22x1,5 F	1.714.303
	50m (black)	10mm	200bar	130°C	stainless steel	¾" F	M22x1,5 F	1.714.304
	45m (blue)	8mm	200bar	130°C	stainless steel	¾" F	M22x1,5 F	1.714.305
	55m (blue)	8mm	200bar	130°C	stainless steel	¾" F	M22x1,5 F	1.714.306
	40m (blue)	10mm	200bar	130°C	stainless steel	¾" F	M22x1,5 F	1.714.307
	50m (blue)	10mm	200bar	130°C	stainless steel	¾" F	M22x1,5 F	1.714.308
	High pressure 400	without	-	400bar	130°C	stainless steel	¾" F	-
40m (black)		10mm	400bar	130°C	stainless steel	¾" F	M22x1,5 F	1.714.403
50m (black)		10mm	400bar	130°C	stainless steel	¾" F	M22x1,5 F	1.714.404
40m (blue)		10mm	400bar	130°C	stainless steel	¾" F	M22x1,5 F	1.714.407
50m (blue)		10mm	400bar	130°C	stainless steel	¾" F	M22x1,5 F	1.714.408
Pesticides	without	-	100bar	-	stainless steel	½" F	-	1.714.200
	60m	¾"	40bar	-	stainless steel	½" F	½" F	1.714.240
	50m	½"	40bar	-	stainless steel	½" F	½" F	1.714.241
Respiratory air	50m	¾"	10bar	50°C	stainless steel	½" F	¾" M	1.714.260

Stainless steel								
Medium	Length of the hose	Inner Ø	Max. pressure	Max. temp.	Swivel	Swivel connection	Armature	Item-No.
Drinking water	40m	¾"	20bar	50°C	stainless steel	½" F	brass coupling	1.714.235
	30m	1"	20bar	50°C	stainless steel	½" F	brass coupling	1.714.236
Food	40m	¾"	15bar	100°C	stainless steel	½" F	brass coupling	1.714.237
	30m	1"	15bar	100°C	stainless steel	½" F	brass coupling	1.714.238
Diesel	30m	¾"	10bar	-	brass	1" F	¾" M	1.714.631
	40m	¾"	10bar	-	brass	1" F	¾" M	1.714.632
	20m	1"	10bar	-	brass	1" F	1" M	1.714.633
	30m	1"	10bar	-	brass	1" F	1" M	1.714.634
Oil	40m	¾"	100bar	60°C	stainless steel	½" F	¾" M	1.714.932
	30m	1"	86bar	60°C	stainless steel	½" F	1" M	1.714.934

Optional accessories		
Designation	Material	Item-No.
Cover plate for latching system	ABS	1.510.005
Swivling wall bracket, 110°	painted steel	1.710.001
Swivling wall bracket, 110°	stainless steel	1714.001
Wall bracket	painting steel	1.710.004
Wall bracket	stainless steel	1.714.004
Turntable, only suitable for floor mounting	steel zincid	1.710.002
Automatic hose guide for ½" - ¾" hose for ¾" hose for 1" hose	painting steel	1.710.010 1.710.011 1.710.012
Automatic hose guide for ½" - ¾" hose for ¾" hose for 1" hose	stainless steel	1.714.010 1.714.011 1.714.012
Hoseguide, 180° transshiptable	painting steel	1.710.003
„Speed control" rewinding break	Techno-Polymer	1.410.008
Hose trolley with 4 breaking solid rubber wheels with 4 breaking air wheels	steel zincid	130.001 130.002
Hose trolley with 4 breaking solid rubber wheels with 4 breaking air wheels	stainless steel	130.003 130.004



! Automatic hose guide not suitable for oxygen, gas and duo hoses!
 „Speed control" rewinding break not combinable with automatic hose guide!
 Cover plate for latching system not combinable with automatic hose guide!
 Cover plate for latching system not combinable with hosguide, 180° transshiptable!