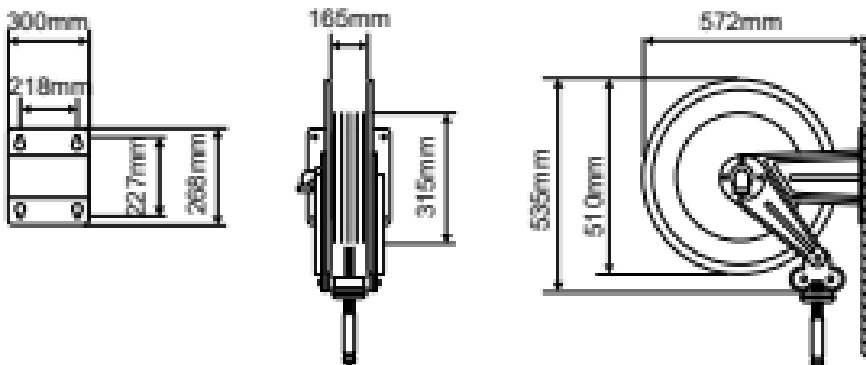




HOSE REEL ES610



- Spring rewind mechanism
- Latching system
- Max. 30m hose - 1" hose
- Casing in painted steel or stainless steel
- Fixed mounting bracket
- Adjustable hose guide
- Mountable in any position



Painted steel								
Medium	Length of the hose	Inner Ø	Max. pressure	Max. temp.	Swivel	Swivel connection	Armature	Item-No.
Cold water	without	-	20bar	90°C	brass	1/2" F	-	1.610.100
	30m	1/2"	12bar	50°C	brass	1/2" F	brass coupling	1.610.101
	25m	3/8"	10bar	50°C	brass	1/2" F	brass coupling	1.610.102
	ohne	-	20bar	90°C	brass	1/2" F	-	1.610.130
	20m	3/4"	10bar	50°C	brass	1/2" F	brass coupling	1.610.131
15m	1"	9bar	50°C	brass	1/2" F	brass coupling	1.610.132	
Hot water	without	-	20bar	90°C	brass	1/2" F	-	1.610.100
	30m	1/2"	15bar	90°C	brass	1/2" F	brass coupling	1.610.104
	25m	3/8"	15bar	90°C	brass	1/2" F	brass coupling	1.610.105
	20m (ET)	3/4"	15bar	90°C	brass	1/2" F	brass coupling	1.610.135
	20m (GS)	3/4"	15bar	90°C	brass	1/2" F	brass coupling	1.610.135-3
15m	1"	15bar	90°C	brass	1/2" F	brass coupling	1.610.136	
Compressed air	without	-	20bar	90°C	brass	1/2" F	-	1.610.100
	30m	12,5mm	20bar	50°C	brass	1/2" F	NW 7,2	1.610.103
	20m	19mm	20bar	50°C	brass	1/2" F	-	1.610.133
15m	25mm	20bar	50°C	brass	1/2" F	NW 7,2	1.610.134	
Vacuum	20m	3/4"	5bar	50°C	brass	1/2" F	-	1.610.141
	15m	1"	5bar	50°C	brass	1/2" F	-	1.610.142
High pressure 100	without	-	100bar	130°C	stainless steel	1/2" F	-	1.610.200
	30m (schwarz)	13mm	100bar	130°C	stainless steel	1/2" F	M22x1,5 F	1.610.202
	30m (blau)	13mm	100bar	130°C	stainless steel	1/2" F	M22x1,5 F	1.610.205
	ohne	-	100bar	130°C	stainless steel	1/2" F	-	1.610.230
	20m	19mm	100bar	130°C	stainless steel	1/2" F	M22x1,5 F	1.610.233
15m	25mm	85bar	130°C	stainless steel	1/2" F	M22x1,5 F	1.610.234	
High pressure 200	without	-	200bar	130°C	stainless steel	3/8" F	-	1.610.300
	30m (black)	8mm	200bar	130°C	stainless steel	3/8" F	M22x1,5 F	1.610.301
	30m (black)	10mm	200bar	130°C	stainless steel	3/8" F	M22x1,5 F	1.610.302
	30m (blue)	8mm	200bar	130°C	stainless steel	3/8" F	M22x1,5 F	1.610.303
	30m (blue)	10mm	200bar	130°C	stainless steel	3/8" F	M22x1,5 F	1.610.304
High pressure 400	without	-	400bar	130°C	stainless steel	3/8" F	-	1.610.400
	30m	8mm	400bar	130°C	stainless steel	3/8" F	M22x1,5 F	1.610.401
	30m (black)	10mm	400bar	130°C	stainless steel	3/8" F	M22x1,5 F	1.610.402
	30m (blue)	8mm	400bar	130°C	stainless steel	3/8" F	M22x1,5 F	1.610.403
	30m (blue)	10mm	400bar	130°C	stainless steel	3/8" F	M22x1,5 F	1.610.404
Pesticides	without	-	100bar	-	stainless steel	1/2" F	-	1.610.200
	30m	3/8"	40bar	-	stainless steel	1/2" F	1/2" F	1.610.240
	25m	1/2"	40bar	-	stainless steel	1/2" F	1/2" F	1.610.241
Grease	without	-	400bar	60°C	steel zined	3/8" F	-	1.610.500
	30m	3/8"	400bar	60°C	steel zined	3/8" F	3/8" M	1.610.501

Painted steel								
Medium	Length of the hose	Inner Ø	Max. pressure	Max. temp.	Swivel	Swivel connection	Armature	Item-No.
Diesel	20m	3/4"	10bar	-	brass	1" F	3/4" M	1.610.631
	15m	1"	10bar	-	brass	1" F	1" M	1.610.632
Oil	without	-	150bar	60°C	steel zined	1/2" F	-	1.610.900
	30m	1/2"	150bar	60°C	steel zined	1/2" F	1/2" M	1.610.901
	ohne	-	150bar	60°C	steel zined	1/2" F	-	1.610.930
	20m	3/4"	100bar	60°C	steel zined	1/2" F	3/4" M	1.610.931
	15m	1"	86bar	60°C	steel zined	1/2" F	1" M	1.610.932
Oxygen - Gas	without	-	20bar	-	brass	3/8" F	-	1.610.700
	35m	2x8mm	20bar	-	brass	3/8" F	3/8" F & 1/4" F	1.610.701
	20m	2x9mm	20bar	-	brass	3/8" F	3/8" F & 1/4" F	1.610.702
	27	2x9mm	20bar	-	brass	3/8" F	3/8" F & 1/4" F	1.610.703
Gas LPG	without	-	20bar	-	brass	3/8" F	-	1.610.800
	30m	10mm	20bar	-	brass	3/8" F	3/8" F-L	1.610.802

Stainless steel								
Medium	Length of the hose	Inner Ø	Max. pressure	Max. temp.	Swivel	Swivel connection	Armature	Item-No.
Cold water	without	-	20bar	90°C	brass	½" F	-	1.614.100
	30m	½"	12bar	50°C	brass	½" F	brass coupling	1.614.101
	25m	¾"	10bar	50°C	brass	½" F	brass coupling	1.614.102
	ohne	-	20bar	90°C	brass	½" F	-	1.614.130
	20m	¾"	10bar	50°C	brass	½" F	brass coupling	1.614.131
	15m	1"	9bar	50°C	brass	½" F	brass coupling	1.614.132
Hot water	without	-	20bar	90°C	brass	½" F	-	1.614.100
	30m	½"	15bar	90°C	brass	½" F	brass coupling	1.614.104
	30m	¾"	15bar	90°C	brass	½" F	brass coupling	1.614.105
	20m	¾"	15bar	90°C	brass	½" F	brass coupling	1.614.135
	15m	1"	15bar	90°C	brass	½" F	brass coupling	1.614.136
Compressed air	without	-	20bar	90°C	brass	½" F	-	1.614.100
	30m	12,5mm	20bar	50°C	brass	½" F	NW 7,2	1.614.103
	20m	19mm	20bar	50°C	brass	½" F	-	1.614.133
	15m	25mm	20bar	50°C	brass	½" F	NW 7,2	1.614.134
Vacuum	20m	¾"	5bar	50°C	brass	½" F	-	1.614.141
	15m	1"	5bar	50°C	brass	½" F	-	1.614.142
High pressure 100	without	-	100bar	130°C	stainless steel	½" F	-	1.614.200
	30m (black)	13mm	100bar	130°C	stainless steel	½" F	M22x1,5 F	1.614.202
	30m (blue)	13mm	100bar	130°C	stainless steel	½" F	M22x1,5 F	1.614.205
	without	-	100bar	130°C	stainless steel	½" F	-	1.614.230
	20m	19mm	100bar	130°C	stainless steel	½" F	M22x1,5 F	1.614.233
	15m	25mm	85bar	130°C	stainless steel	½" F	M22x1,5 F	1.614.234
High pressure 200	without	-	200bar	130°C	stainless steel	¾" F	-	1.614.300
	30m (black)	8mm	200bar	130°C	stainless steel	¾" F	M22x1,5 F	1.614.301
	30m (black)	10mm	200bar	130°C	stainless steel	¾" F	M22x1,5 F	1.614.302
	30m (blue)	8mm	200bar	130°C	stainless steel	¾" F	M22x1,5 F	1.614.303
	30m (blue)	10mm	200bar	130°C	stainless steel	¾" F	M22x1,5 F	1.614.304
High pressure 400	without	-	400bar	130°C	stainless steel	¾" F	-	1.614.400
	30m (black)	8mm	400bar	130°C	stainless steel	¾" F	M22x1,5 F	1.614.401
	30m (black)	10mm	400bar	130°C	stainless steel	¾" F	M22x1,5 F	1.614.402
	30m (blue)	8mm	400bar	130°C	stainless steel	¾" F	M22x1,5 F	1.614.403
	30m (blue)	10mm	400bar	130°C	stainless steel	¾" F	M22x1,5 F	1.614.404
Pesticides	without	-	100bar	-	stainless steel	½" F	-	1.614.200
	30m	¾"	40bar	-	stainless steel	½" F	½" F	1.614.240
	25m	½"	40bar	-	stainless steel	½" F	½" F	1.614.241

Stainless steel								
Medium	Length of the hose	Inner Ø	Max. pressure	Max. temp.	Swivel	Swivel connection	Armature	Item-No.
Drinking water	30m	½"	20bar	50°C	stainless steel	½" F	brass coupling	1.614.203
	20m	¾"	20bar	50°C	stainless steel	½" F	brass coupling	1.614.235
	15m	1"	20bar	50°C	stainless steel	½" F	brass coupling	1.614.236
Food	30m	½"	15bar	100°C	stainless steel	½" F	brass coupling	1.614.204
	20m	¾"	15bar	100°C	stainless steel	½" F	brass coupling	1.614.237
	15m	1"	15bar	100°C	stainless steel	½" F	brass coupling	1.614.238
Grease	without	-	400bar	60°C	steel zined	¾" F	-	1.614.500
	30m	¾"	400bar	60°C	steel zined	¾" F	¾" M	1.614.501
Diesel	30m	½"	10bar	-	brass	1" F	½" M	1.614.601
	20m	¾"	10bar	-	brass	1" F	¾" M	1.614.631
	15m	1"	10bar	-	brass	1" F	1" M	1.614.632
Oil	without	-	150bar	60°C	stainless steel	½" F	-	1.614.200
	30m	½"	150bar	60°C	stainless steel	½" F	½" M	1.614.901
	20m	¾"	100bar	60°C	stainless steel	½" F	¾" M	1.614.931
	15m	1"	86bar	60°C	stainless steel	½" F	1" M	1.614.932

Optional accessories

Designation	Material	Item-No.
Cover plate for latching system	ABS	1.510.005
Swivling wall bracket, 180°	painted steel	1.610.007
Swivling wall bracket, 180°	stainless steel	1.614.007
Wall bracket	painted steel	1.610.004
Wall bracket	stainless steel	1.614.004
Turntable, only suitable for floor mounting	steel zinced	1.610.002
Automatic hose guide for ½" - ¾" hose for ¾" hose for 1" hose	painted steel	1.610.010 1.610.011 1.610.012
Automatic hose guide for ½" - ¾" hose for ¾" hose for 1" hose	stainless steel	1.614.010 1.614.011 1.614.012
Hoseguide, 180° transshiptable	painted steel	1.610.003
„Speed control" rewinding break	Techno-Polymer	1.410.008
Hose trolley with 4 breaking solid rubber wheels with 4 breaking air wheels	steel zinced	130.001 130.002
Hose trolley with 4 breaking solid rubber wheels with 4 breaking air wheels	stainless steel	130.003 130.004



⚠ Automatic hose guide not suitable for oxygen, gas and duo hoses!
 „Speed control" rewinding break not combinable with automatic hose guide!
 Cover plate for latching system not combinable with automatic hose guide!
 Cover plate for latching system not combinable with hosguide, 180° transshiptable!