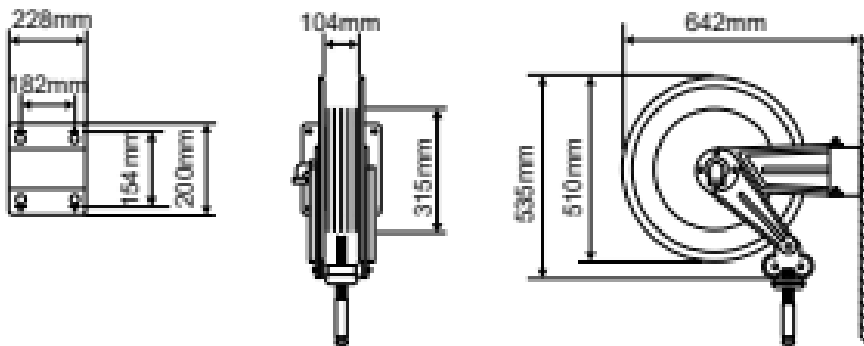



HOSE REEL ES510



- Spring rewind mechanism
- Latching system
- Max. 25m hose – 1" hose
- Casing in painted steel or stainless steel
- Fixed and swivel mounting bracket
- Adjustable hose guide
- Mountable in any position



Painted steel								
Medium	Length of the hose	Inner Ø	Max. pressure	Max. temp.	Swivel	Swivel connection	Armature	Item-No.
Cold water	without	-	20bar	90°C	brass	½" F	-	1.510.100
	25m	½"	12bar	50°C	brass	½" F	brass coupling	1.510.101
	20m	¾"	10bar	50°C	brass	½" F	brass coupling	1.510.102
Hot water	without	-	20bar	90°C	brass	½" F	-	1.510.100
	20m	½"	15bar	90°C	brass	½" F	brass coupling	1.510.104
	20m	¾"	15bar	90°C	brass	½" F	brass coupling	1.510.105
Compressed air	without	-	20bar	90°C	brass	½" F	-	1.510.100
	25m	12,5mm	20bar	50°C	brass	½" F	NW 7,2	1.510.103
Vacuum	20m	½"	5bar	50°C	brass	½" F	-	1.510.140
High pressure 100	without	-	100bar	130°C	stainless steel	½" F	-	1.510.200
	20m (black)	13mm	100bar	130°C	stainless steel	½" F	M22x1,5 F	1.510.202
High pressure 200	without	-	200bar	130°C	stainless steel	¾" F	-	1.510.300
	25m (black)	8mm	200bar	130°C	stainless steel	¾" F	M22x1,5 F	1.510.301
	25m (black)	10mm	200bar	130°C	stainless steel	¾" F	M22x1,5 F	1.510.302
	25m (blue)	8mm	200bar	130°C	stainless steel	¾" F	M22x1,5 F	1.510.303
High pressure 400	without	-	400bar	130°C	stainless steel	¾" F	-	1.510.400
	25m (black)	8mm	400bar	130°C	stainless steel	¾" F	M22x1,5 F	1.510.401
	25m (black)	10mm	400bar	130°C	stainless steel	¾" F	M22x1,5 F	1.510.402
	25m (blue)	8mm	400bar	130°C	stainless steel	¾" F	M22x1,5 F	1.510.403
Pesticides	without	-	100bar	-	stainless steel	½" F	-	1.510.200
	25m	¾"	40bar	-	stainless steel	½" F	½" F	1.510.240
Grease	without	-	400bar	60°C	steel zincd	¾" F	-	1.510.500
	25m	¾"	400bar	60°C	steel zincd	¾" F	¾" M	1.510.502
	25m	¼"	400bar	60°C	steel zincd	¾" F	¼" M	1.510.503
Oil	without	-	500bar	60°C	steel zincd	½" F	-	1.510.550
	without	-	150bar	60°C	steel zincd	½" F	-	1.510.900
	25m	½"	150bar	60°C	steel zincd	½" F	½" M	1.510.902

Painted Steel								
Medium	Length of the hose	Inner Ø	Max. pressure	Max. temp.	Swivel	Swivel connection	Armature	Item-No.
Oxygen - Gas	without	-	20bar	-	brass	¾" F	-	1.510.700
	20m	2x8mm	20bar	-	brass	¾" F	¾" F & ¼" F	1.510.701
	15m	2x9mm	20bar	-	brass	¾" F	¾" F & ¼" F	1.510.702
Gas LPG	without	-	20bar	-	brass	¾" F	-	1.510.800
	25m	10mm	20bar	-	brass	¾" F	¾" F-L	1.510.802

Stainless Steel



Medium	Length of the hose	Inner Ø	Max. pressure	Max. temp.	Swivel	Swivel connection	Armature	Item-No.
Cold water	without	-	20bar	90°C	brass	½" F	-	1.514.100
	25m	½"	12bar	50°C	brass	½" F	brass coupling	1.514.101
	20m	¾"	10bar	50°C	brass	½" F	brass coupling	1.514.102
Hot water	without	-	20bar	90°C	brass	½" F	-	1.514.100
	20m	½"	15bar	90°C	brass	½" F	brass coupling	1.514.105
	20m	¾"	15bar	90°C	brass	½" F	brass coupling	1.514.106
Compressed air	without 25m	-	20bar	90°C	brass	½" F	-	1.514.100
			20bar	50°C	brass	½" F		
Vacuum	20m	½"	5bar	50°C	brass	½" F	-	1.514.140
High pressure 100	without	-	100bar	130°C	stainless steel	½" F	-	1.514.200
	20m (black)	13mm	100bar	130°C	stainless steel	½" F	M22x1,5 F	1.514.202
	20m (blue)	13mm	100bar	130°C	stainless steel	½" F	M22x1,5 F	1.514.205
High pressure 200	without	-	200bar	130°C	stainless steel	¾" F	-	1.514.300
	25m (black)	8mm	200bar	130°C	stainless steel	¾" F	M22x1,5 F	1.514.301
	25m (black)	10mm	200bar	130°C	stainless steel	¾" F	M22x1,5 F	1.514.302
	25m (blue)	8mm	200bar	130°C	stainless steel	¾" F	M22x1,5 F	1.514.303
High pressure 400	without	-	400bar	130°C	stainless steel	¾" F	-	1.514.400
	25m (black)	8mm	400bar	130°C	stainless steel	¾" F	M22x1,5 F	1.514.401
	25m (black)	10mm	400bar	130°C	stainless steel	¾" F	M22x1,5 F	1.514.402
	25m (blue)	8mm	400bar	130°C	stainless steel	¾" F	M22x1,5 F	1.514.403
Pesticides	without	-	100bar	-	stainless steel	½" F	½" F	1.514.200
	25m	¾"	40bar	-	stainless steel	½" F	½" F	1.514.240
	20m	½"	40bar	-	stainless steel	½" F	½" F	1.514.241
Respiratory air	25m	¾"	10bar	50°C	stainless steel	½" F	¾" M	1.514.260
Drinking water	20m	½"	20bar	50°C	stainless steel	½" F	brass coupling	1.514.203
Food	20m	½"	15bar	100°C	stainless steel	½" F	brass coupling	1.514.204
Grease	without	-	400bar	60°C	steel zined	¾" F	-	1.514.500
	25m	¾"	400bar	60°C	steel zined	¾" F	¾" M	1.514.502
	25m	¼"	400bar	60°C	steel zined	¾" F	¼" M	1.514.503
Oil	without 25m	-	150bar	60°C	stainless steel	½" F	-	1.514.200
			150bar	60°C	stainless steel	½" F		

Optional accessories

Designation	Material	Item-No.
Cover plate for latching system	ABS	1.510.005
Extension for swiveling wall bracket 180°	stainless steel	1.514.007
Automatic hose guide for ½" - ¾" hose for ¾" - 1" hose	painting steel	1.510.010 1.510.011
Automatic hose guide for ½" - ¾" hose for ¾" - 1" hose	stainless steel	1.514.010 1.514.011
„Speed control“ rewinding break	Techno Polymer	1.410.008



Automatic hose guide not suitable for oxygen, gas and duo hoses!
„Speed control“ rewinding break not combinable with automatic hose guide!
Cover plate for latching system not combinable with automatic hose guide!