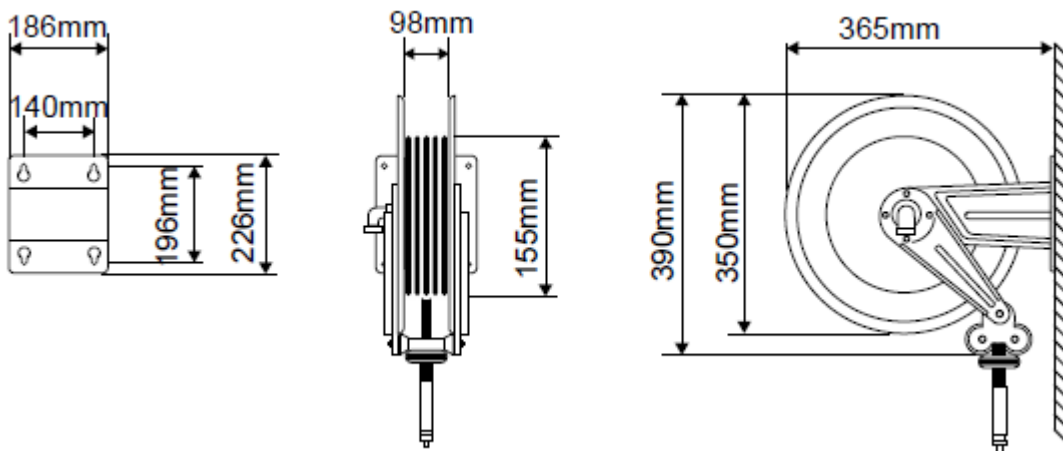


HOSE REEL ES210



- Spring rewind mechanism
- Latching system
- Max. 18m hose - 1/2" hose
- Casing in painted steel or stainless steel
- Fixed mounting bracket
- Adjustable hose guide
- Mountable in any position



Painted Steel



Medium	Length of the hose	Inner Ø	Max. pressure	Max. temp.	Swivel	Swivel connection	Armature	Item-No.
Cold water	without 10m 7m	-	20bar	90°C	brass	½" F	-	1.210.100
		½"	12bar	50°C	brass	½" F	brass coupling	1.210.101
		⅝"	10bar	50°C	brass	½" F	brass coupling	1.210.108
Hot water	without 8m	-	20bar	90°C	brass	½" F	-	1.210.100
		½"	15bar	90°C	brass	½" F	brass coupling	1.210.105
Compressed air	without 15m 10m	-	20bar	90°C	brass	½" F	-	1.210.100
		10mm	20bar	50°C	brass	½" F	NW 7,2	1.210.103
		12,5mm	20bar	50°C	brass	½" F	NW 7,2	1.210.104
High pressure 100	without	-	100bar	130°C	stainless steel	⅜" F	-	1.210.200
High pressure 200	without 10m (black) 10m (blue)	-	200bar	130°C	stainless steel	⅜" F	-	1.210.300
		8mm	200bar	130°C	stainless steel	⅜" F	M22x1,5 F	1.210.301
		8mm	200bar	130°C	stainless steel	⅜" F	M22x1,5 F	1.210.302
High pressure 400	without 10m (black) 10m (blue)	-	400bar	130°C	stainless steel	⅜" F	-	1.210.400
		8mm	400bar	130°C	stainless steel	⅜" F	M22x1,5 F	1.210.401
		8mm	400bar	130°C	stainless steel	⅜" F	M22x1,5 F	1.210.402
Pesticides	10m	⅜"	40bar	50°	stainless steel	½" F	½" F	1.210.240
Grease	without 12m	-	400bar	60°C	steel zincd	⅜" F	-	1.210.500
		¼"	400bar	60°C	steel zincd	⅜" F	¼" M	1.210.501
Oil	without 12m	-	150bar	60°C	steel zincd	⅜" F	-	1.210.900
		⅜"	150bar	60°C	steel zincd	⅜" F	⅜" M	1.210.901

Stainless Steel



Medium	Length of the hose	Inner Ø	Max. pressure	Max. temp.	Swivel	Swivel connection	Armature	Item-No.
Cold water	without 10m 7m	-	20bar	90°C	brass	½" F	-	1.214.100
		½"	12bar	50°C	brass	½" F	brass coupling	1.214.101
		⅝"	10bar	50°C	brass	½" F	brass coupling	1.214.108
Hot water	without 8m	-	20bar	90°C	brass	½" F	-	1.214.100
		½"	15bar	90°C	brass	½" F	brass coupling	1.214.105
Compressed air	without 15m 10m	-	20bar	90°C	brass	½" F	-	1.214.100
		10mm	20bar	50°C	brass	½" F	NW 7,2	1.214.103
		12,5mm	20bar	50°C	brass	½" F	NW 7,2	1.214.104
High pressure 100	without	-	100bar	130°C	stainless steel	⅜" F	-	1.214.200
High pressure 200	without 10m (black) 10m (blue)	-	200bar	130°C	stainless steel	⅜" F	-	1.214.300
		8mm	200bar	130°C	stainless steel	⅜" F	M22x1,5 F	1.214.301
		8mm	200bar	130°C	stainless steel	⅜" F	M22x1,5 F	1.214.302
High pressure 400	without 10m (black) 10m (blue)	-	400bar	130°C	stainless steel	⅜" F	-	1.214.400
		8mm	400bar	130°C	stainless steel	⅜" F	M22x1,5 F	1.214.401
		8mm	400bar	130°C	stainless steel	⅜" F	M22x1,5 F	1.214.402
Food	7m	½"	15bar	100°C	stainless steel	½" F	brass coupling	1.214.204
Drinking water	7m	½"	20bar	130°C	stainless steel	½" F	brass coupling	1.214.205
Oil	without 12m	-	150bar	60°C	stainless steel	⅜" F	-	1.214.200
		⅜"	150bar	60°C	stainless steel	⅜" F	⅜" M	1.214.901

Optional accessoires

Designation	Material	Item-No.
Swivling wall bracket, 110°	painted steel	1.110.001
Swivling wall bracket, 110°	stainless steel	1.114.001

